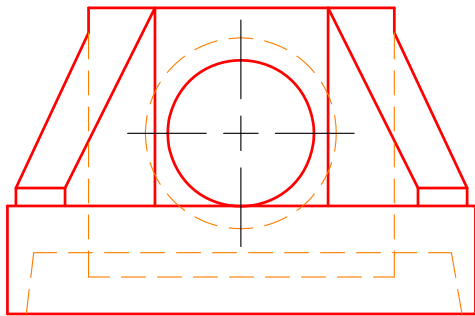
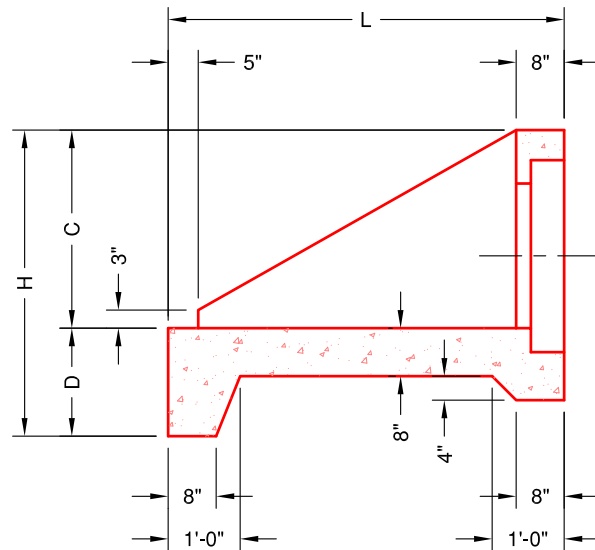


**PLAN VIEW**



**FRONT VIEW**



**SECTION A-A**

Pipe Size	Hole Size	W	L	H	A	B	C	D	E	F	G	Weight
12"	12"Ø								12'	13"	3"	
15"	15"Ø	63"	54"	43"	42"	24"	27"	16"	8.5'	9.75'	3.5"	3605 lbs.
18"	18"Ø								5"	6.5"	4"	
24"	24"Ø	78"	66"	51"	51"	29"	33"	18"	5"	6"	4"	5468 lbs.

**SPECIFICATIONS:**

- Concrete minimum compression strength:  
F'c=5,000 PSI @ 28 days.
- Reinforcing steel: ASTM A615, Fy=60,000 PSI

ITEMS ARE SUBJECT TO CHANGE WITHOUT NOTICE.