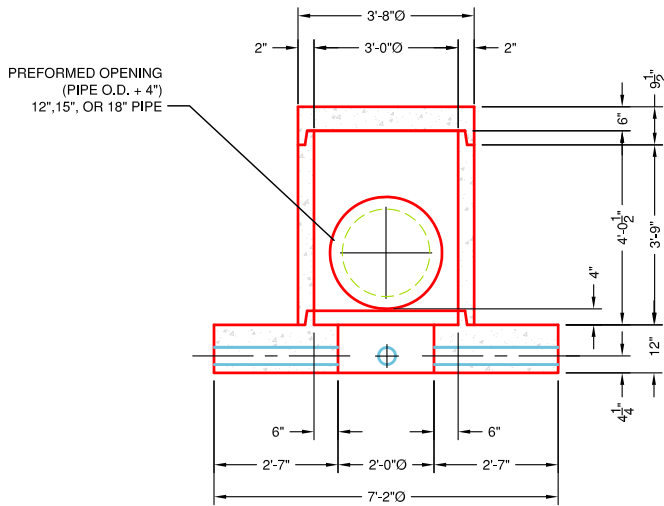
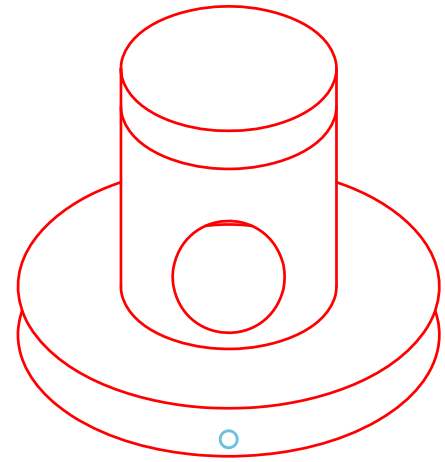
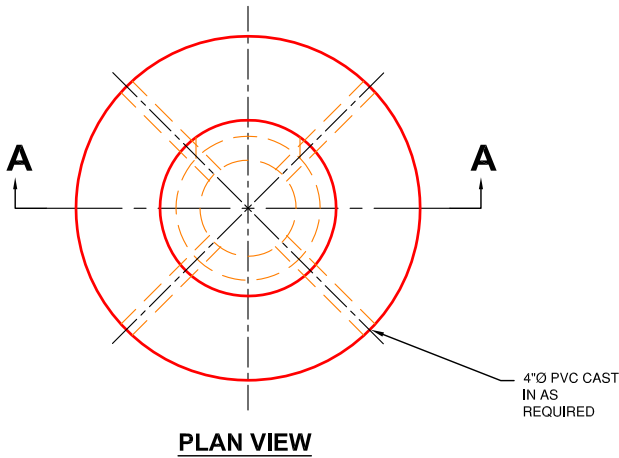




WEIGHTS	
SECTION	WEIGHT
TOP SLAB	800 LBS
RISER SECTION	2,100 LBS
BASE SLAB	5,600 LBS



SPECIFICATIONS:

- Concrete minimum compression strength:
F'c=5,000 PSI @ 28 days.
- Reinforcing steel: ASTM A615, Fy=60,000 PSI

ITEMS ARE SUBJECT TO CHANGE WITHOUT NOTICE.