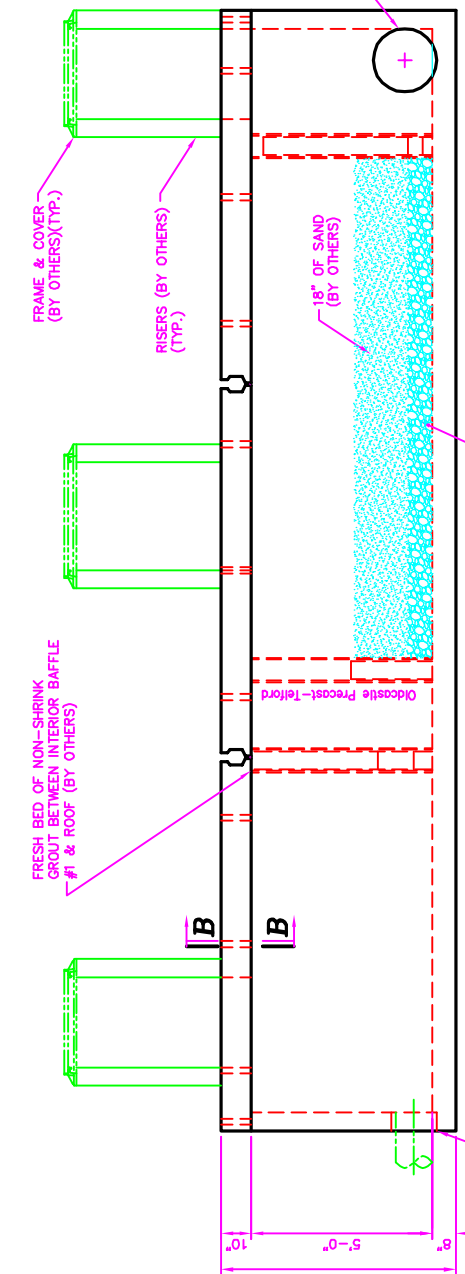
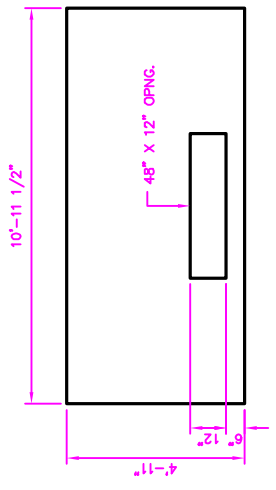


PLAN



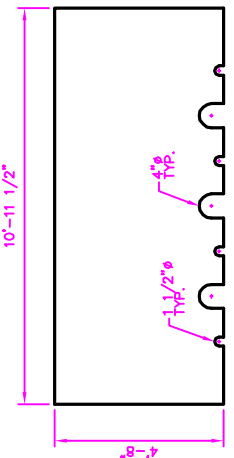
ELEVATION



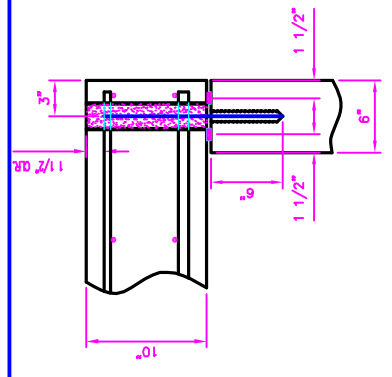
INLET BAFFLE DETAIL #1



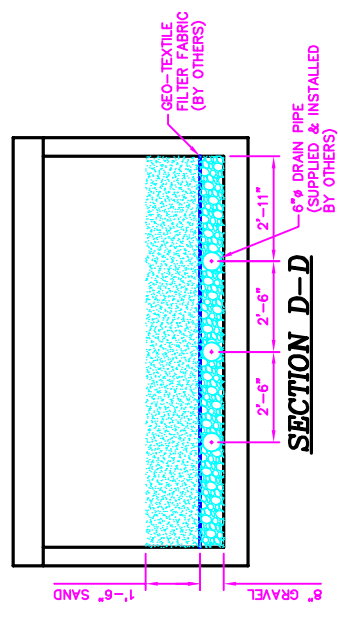
INLET BAFFLE DETAIL #2



OUTLET BAFFLE DETAIL



SECTION B-B
1 1/2" = 1'-0"



SECTION D-D

NOTE: BAFFLES TO BE GROUTED IN PRIOR TO SHIPPING.

For additional information or assistance with sand filter sizing please contact:
 Michael A. Snipas
 Oldcastle Precast-Environmental
 215-453-2490
 Michael.Snipas@Oldcastleprecast.com

DESIGN NOTES
 CONCRETE MINIMUM STRENGTH - 5000 PSI @ 28 DAYS
 STEEL REINFORCEMENT - ASTM A-615, GRADE 60
 COVER TO STEEL: 1" U.N.O.
 DESIGN LOADING - AASHTO HS20-44
 SECTION JOINT - SEE SECTION B-B
 DESIGN SPECIFICATION - AASHTO LOAD FACTOR DESIGN METHOD

ASSUMPTIONS
 GROUND WATER @ 3'-0" BELOW FINISHED GRADE
 EARTH COVER: AS REQ'D
 2'-0" LIVE LOAD SURCHARGE APPLIED TO 8'-0" DEPTH
 LIVE LOAD IMPACT TO 1'-0" COVER I=30%
 COEFFICIENT OF FRICTION BETWEEN PARTS = .40
 DRY EARTH UNIT WEIGHT = 120 PCF
 SATURATED EARTH DENSITY = 132 PCF
 SATURATED EARTH LATERAL PRESSURE = 120 (.40) = 48 PSF
 132 PCF - 62.4 = 69.6 PCF
 69.6 PCF (.40) = 27.8 PSF
 SATURATED EARTH LATERAL PRESSURE = 27.8 + 62.4 = 90.2 PSF

THIS DOCUMENT IS THE PROPERTY OF OLDCASTLE PRECAST, INC. IT IS SUBMITTED FOR REFERENCE PURPOSES ONLY AND SHALL NOT BE USED IN ANY WAY INJURIOUS TO THE INTERESTS OF SAID COMPANY. COPYRIGHT 2006 OLDCASTLE PRECAST, INC. ALL RIGHTS RESERVED.

Oldcastle Precast
 Telford

200 KEYSTONE DRIVE TELFORD, PA 18969 (215) 257-8081	DESIGNED BY: KEN	DRAWN BY: KEN
	SCALE: 3/8" = 1'-0"	
	PROJECT:	
	DATE:	
		10'-10" x 30'-0" x 5'-0" SAND FILTER
		REVISED:

BY APPROVING THIS DRAWING THE CONTRACTOR/ENGINEER HAS VERIFIED THAT ALL INFORMATION SHOWN ON DRAWING HAS BEEN THOROUGHLY CHECKED, COMPLES WITH THE CONTRACT DOCUMENTS, AND IS ADEQUATE TO MEET THE FIELD CONDITIONS. OLDCASTLE PRECAST ACCEPTS NO RESPONSIBILITY FOR INSTALLATION ERRORS BY THE CONTRACTOR. NOIEL PRODUCTION WILL NOT COMMENCE UNTIL RECEIPT OF SIGNED APPROVED SHOP DRAWINGS.