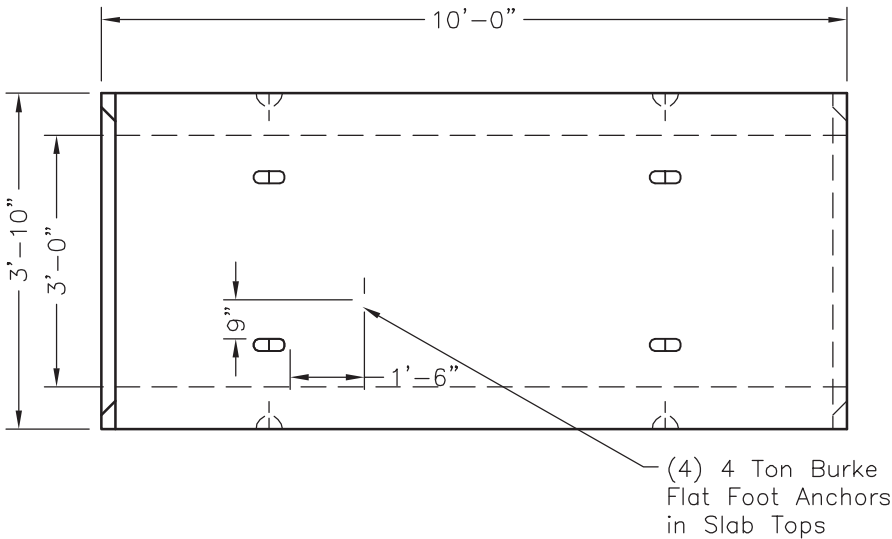
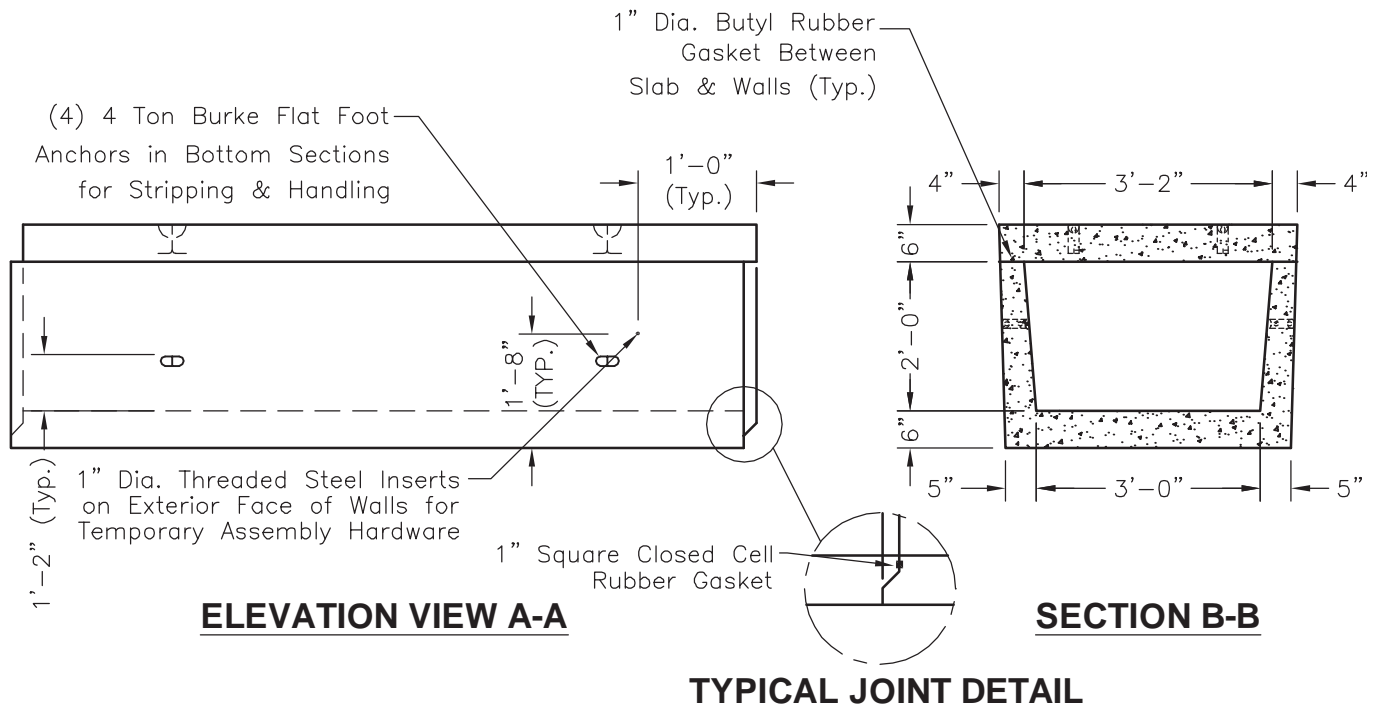


GENERAL NOTES:

1. Concrete: 28 Day Compressive Strength $f'c = 5,000$ psi
2. Steel Reinforcement: ASTM A-615, Grade 60
3. Cover to Steel-1" Minimum
4. Vaults are Designed to Meet ASTM C858 and ACI 318 with AASHTO HS-20 Loading
5. Earth Cover-0 to 5 Feet Max.
6. Construction Joint Sealed with 1" Dia. Butyl Rubber and Neoprene Gasket.


PLAN VIEW

ELEVATION VIEW A-A
SECTION B-B
TYPICAL JOINT DETAIL