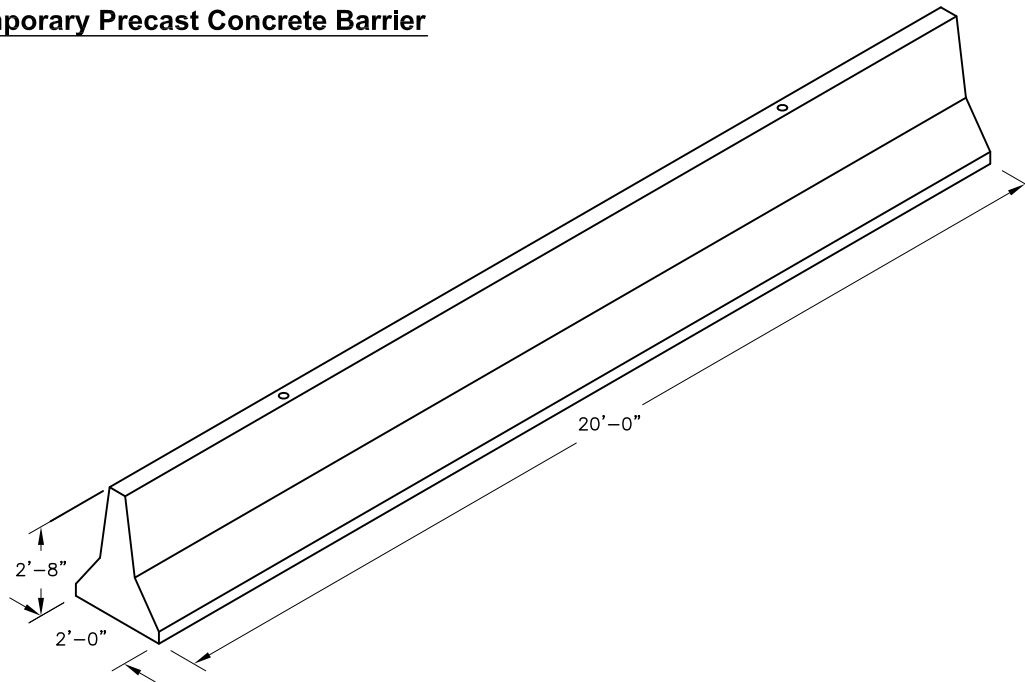


Temporary Precast Concrete Barrier**SPECIFICATIONS:**

1. Steel plate shall be ASTM A36, A568, A441, or A572, Grade 50.
2. Steel Reinforcement: ASTM A-615, Grade 60.
3. Concrete shall be air entrained and have a minimum air content of 5% and a maximum air content of 9% with a minimum compressive strength of 3,000 psi NYSDOT approved materials are not required.
4. Concrete clear cover for reinforcing bars shall be 1-1/2" min. except where otherwise specified.
5. A minimum of (2) recessed lifting devices shall be used per each section. Each lifting device shall have a minimum capacity of 6 tons.
6. Tube steel shall be ASTM A-500, Grade B or C.
7. Precast temporary barrier sections are to be in 20'-0' lengths unless otherwise required by contractor.
8. Precast temporary barrier sections shall be precast in steel forms and meet the requirements for curing and repairs of subsection 704-05. The barrier units shall have a small finish, no rubbing, brooming or other working shall be permitted after the forms are removed except for the necessary repairs which shall be finished to match the surrounding surface.