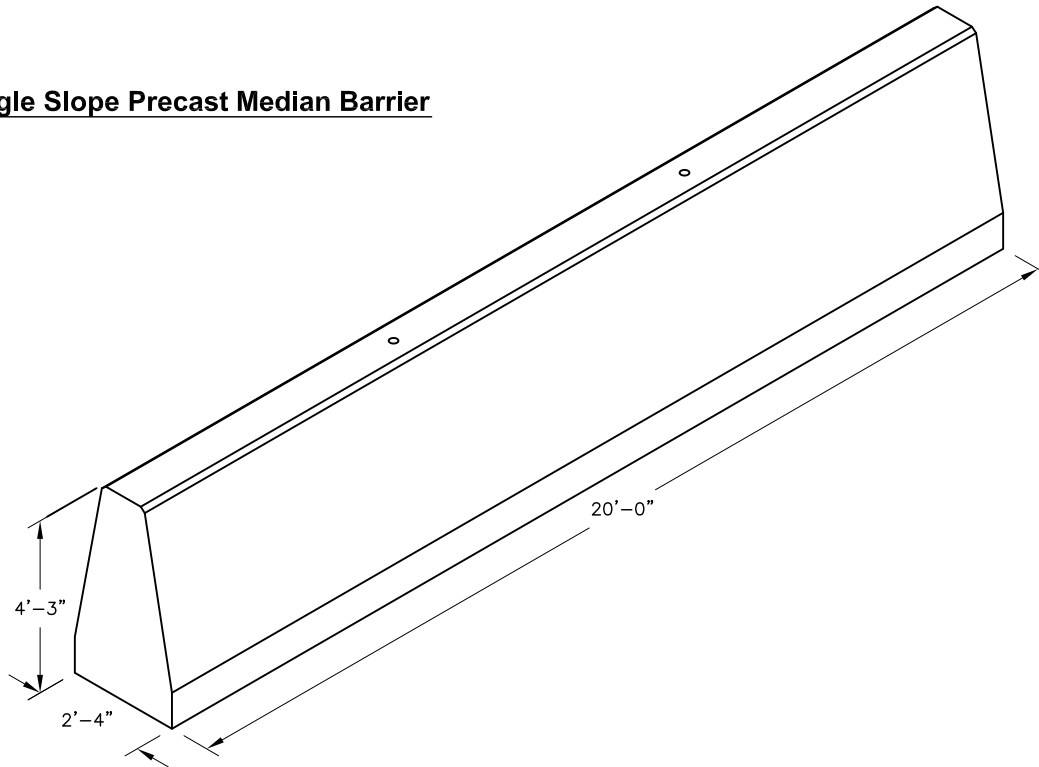


Single Slope Precast Median Barrier**SPECIFICATIONS:**

1. Precast Median barriers mfg. as per subsection 704-05 & 606-3.05 (latest revision) of the NYC standard spec.
2. Barriers to be a nominal length of 20'-0", but may be 10'-0".
3. Reinforcing bars shall conform to subsection 709-04.
4. Barrier may be handled in field using double clamp lifters.
5. When barrier is set on concrete pads, both ends should be smooth for a min. of 2'-0" each end.
6. The 9" embedment is typical for new and reconstructed medians and any variation of the 9" (typ.) embedment will be detailed on the plans.
7. Concrete to have minimum compressive strength of 4,000 at 28 days. Concrete shall be air entrained with a minimum air content of 5.0% to a maximum of 9.0%.
8. Precast barriers shall have a smooth finish.