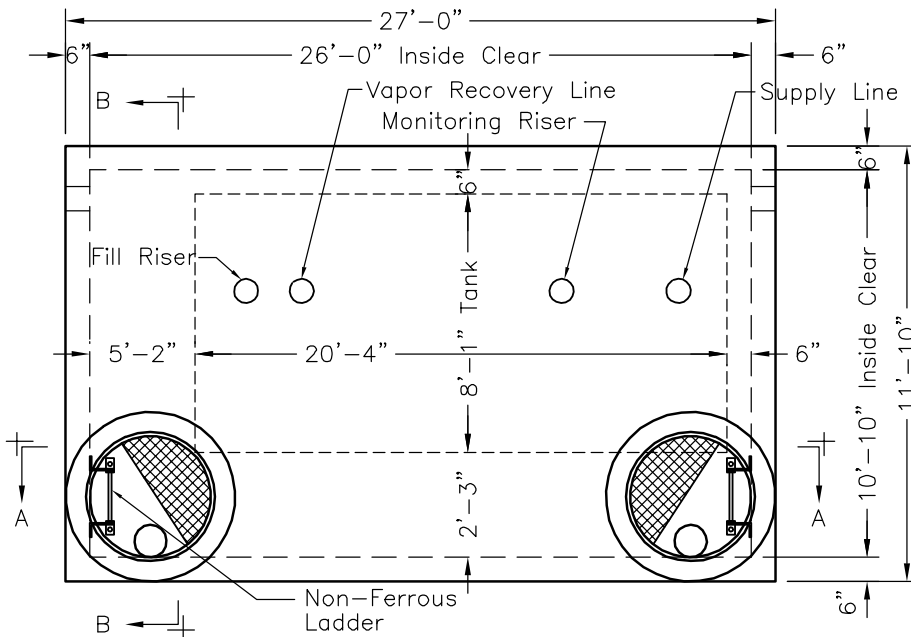


GENERAL NOTES:

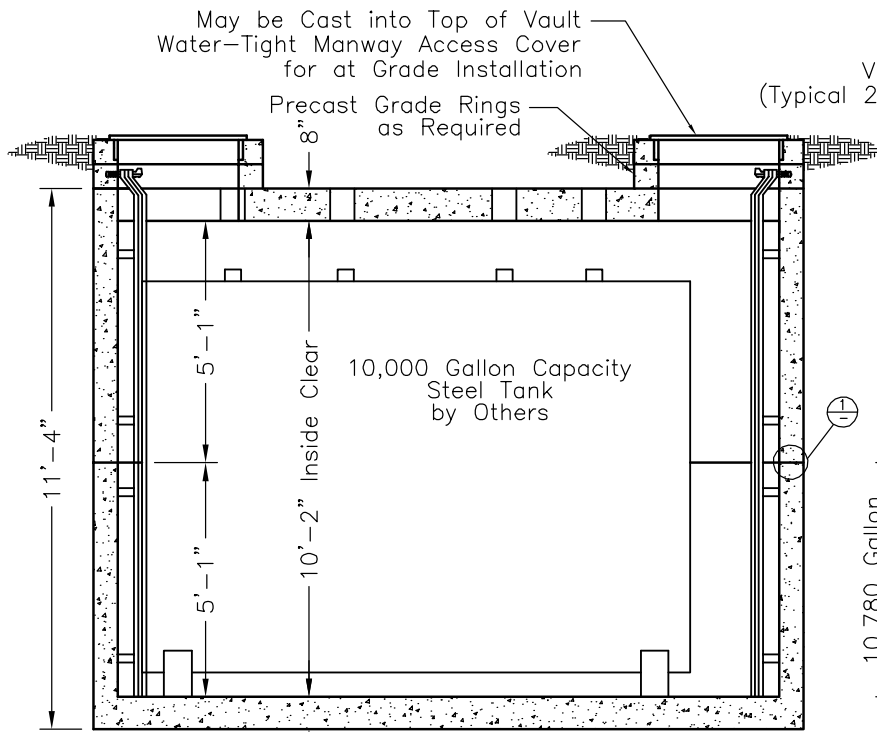
1. Concrete: 28 Day Compressive Strength $f'_c = 5,000$ psi
2. Steel Reinforcement: ASTM A-615, Grade 60
3. Cover to Steel—1" Minimum
4. Vaults are Designed to Meet ASTM C857 and ACI 318 with AASHTO HS-20 Loading
5. Construction Joint Sealed with Fuel Resistant Gasket Material CS-440


PLAN VIEW

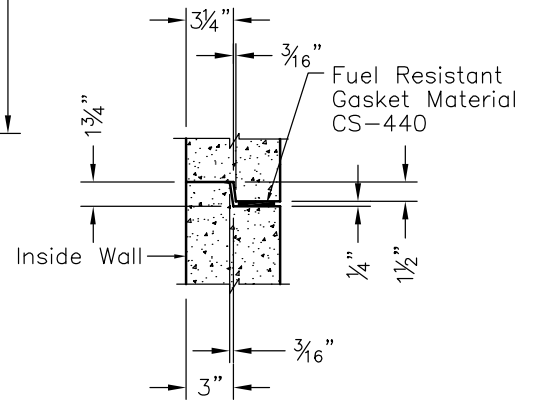
NOTES:
 Penetrations Shown Here are for Illustration Purposes Only. Actual Penetrations Required, and Their Locations, Will Vary According to Customer Needs.

May be Cast into Top of Vault
 Water-Tight Manway Access Cover
 for at Grade Installation

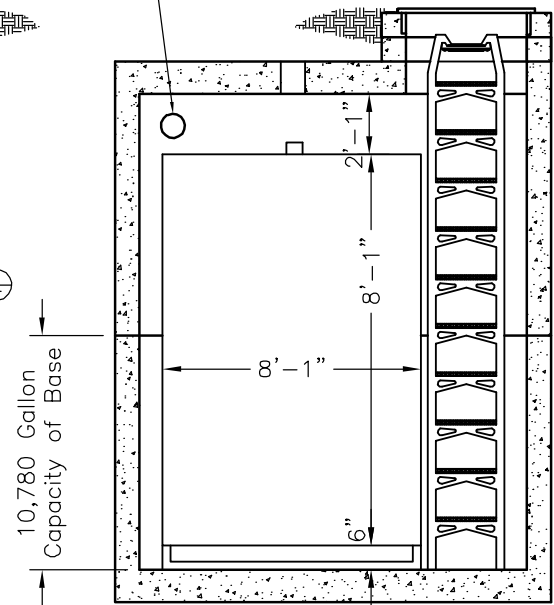
Precast Grade Rings
 as Required


SECTION A-A

SCALE: 1/4" = 1'-0"


DETAIL "1"

Vent Hole
 (Typical 2 Places)


SECTION B-B