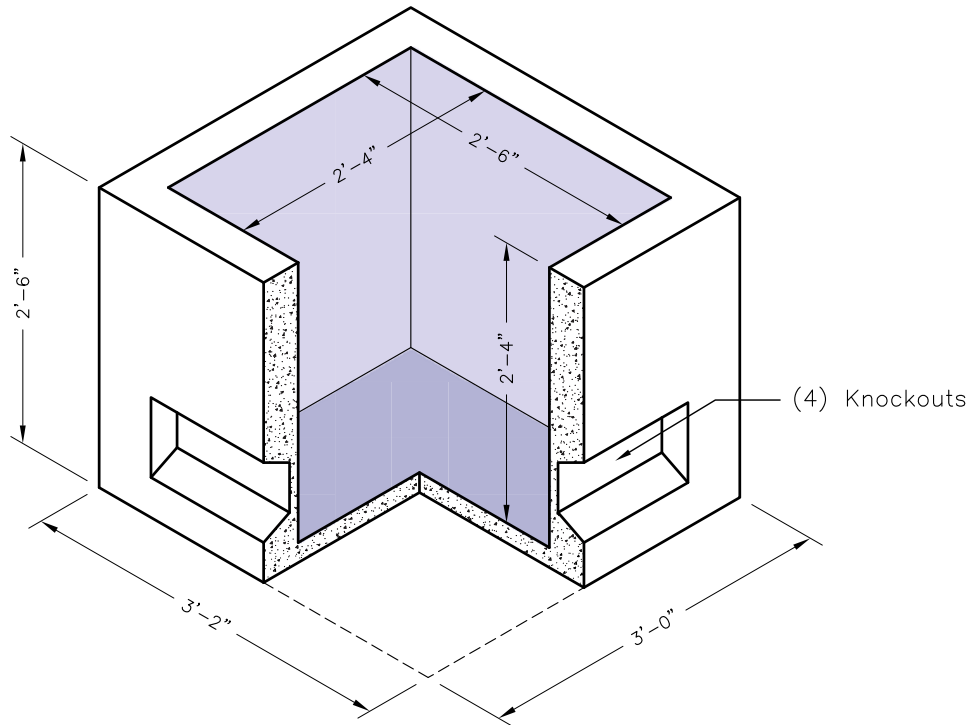


**Pull Box****GENERAL NOTES:**

1. Concrete: 28 Day Compressive Strength  $f'_c = 5000$  psi
2. Steel Reinforcement: ASTM A-615, Grade 60
3. Cover to Steel - 1" Minimum
4. Pull Box are Designed to Meet ASTM C858 and ACI 318 With AASHTO HS-20 Loading
5. Earth Cover - 0 to 2 Feet