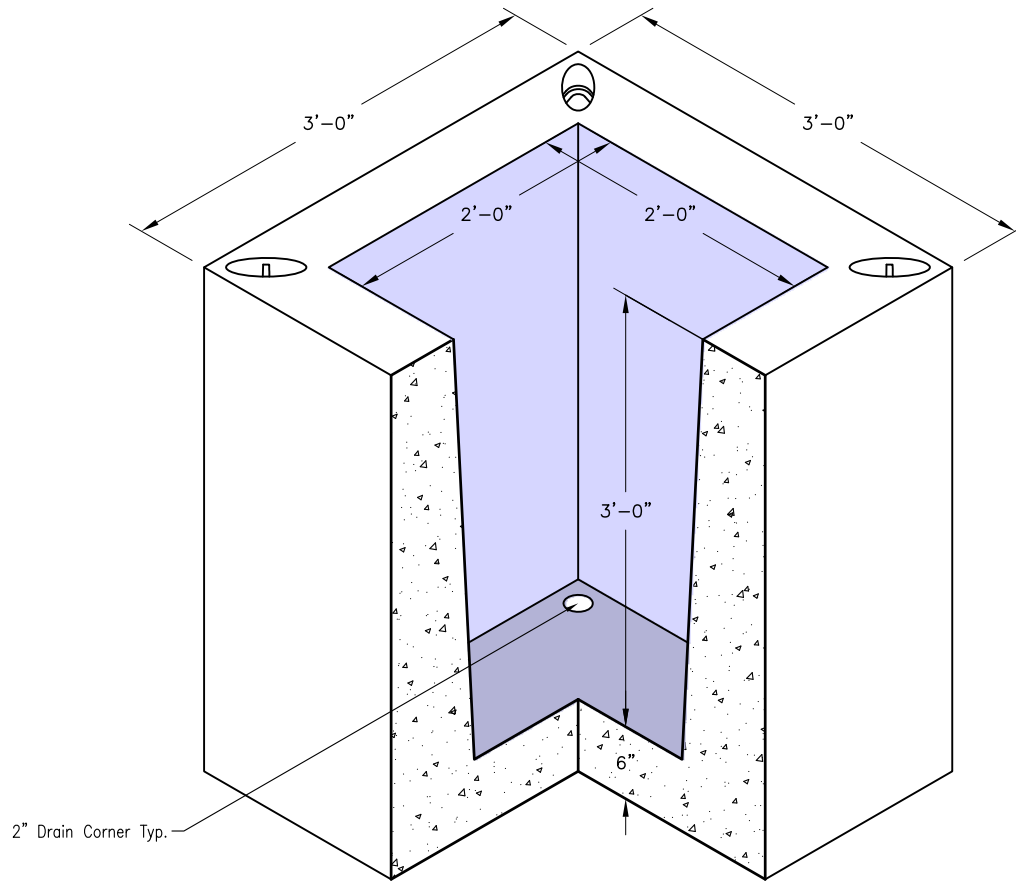


**Catch Basin****GENERAL NOTES:**

1. Concrete: 28 Day Compressive Strength  $f'_c = 4,000$ psi.
2. Steel Reinforcement: ASTM A-615, Grade 60.
3. Designed for AASHTO HS-20 loading.