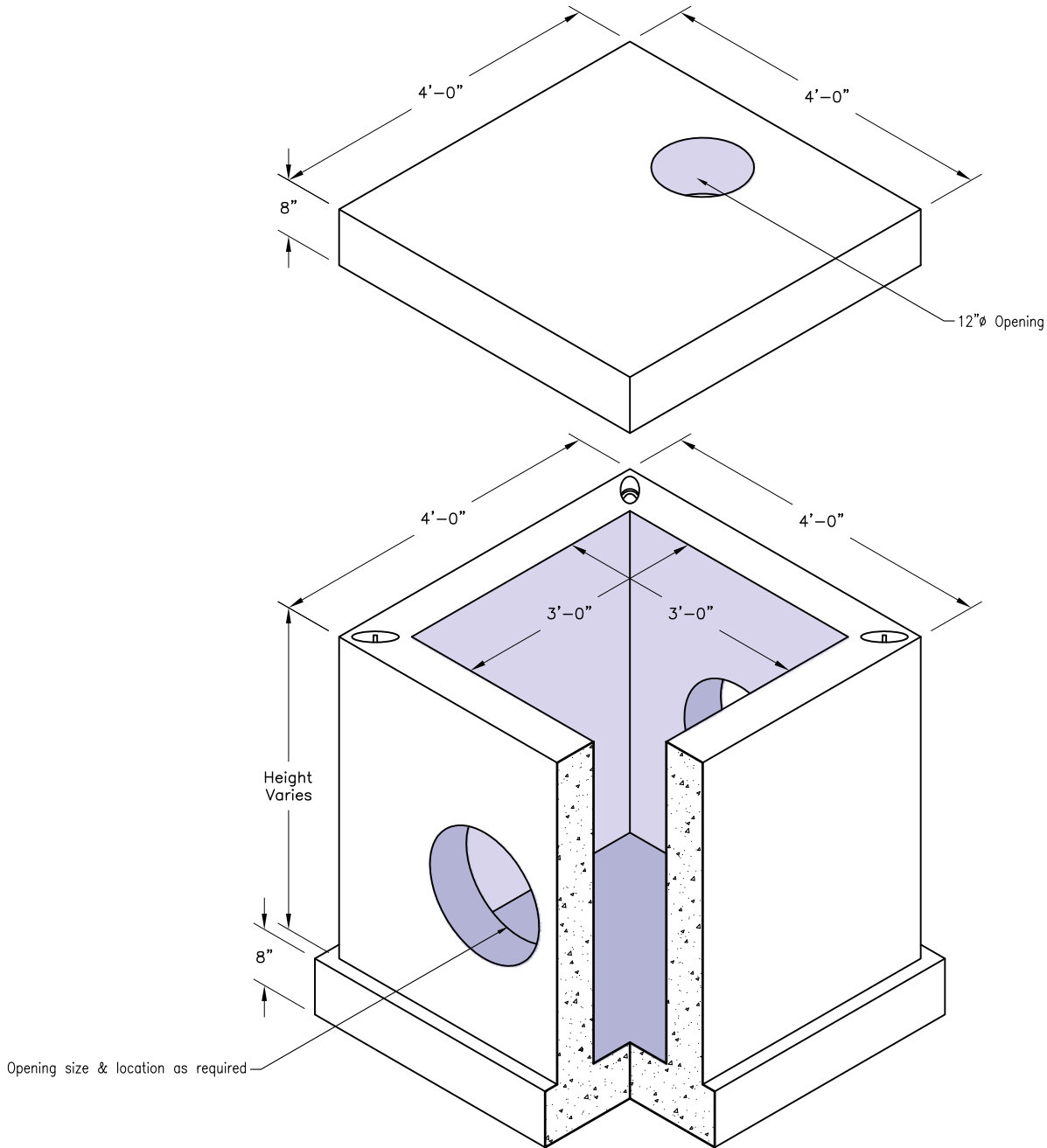


**Area Drain Type 1**



**GENERAL NOTES:**

1. Concrete: 28 Day Compressive Strength  $f'c = 4,000\text{psi}$ .
2. Steel Reinforcement: ASTM A-615, Grade 60.
3. Manhole meets ASTM C-478 specifications.