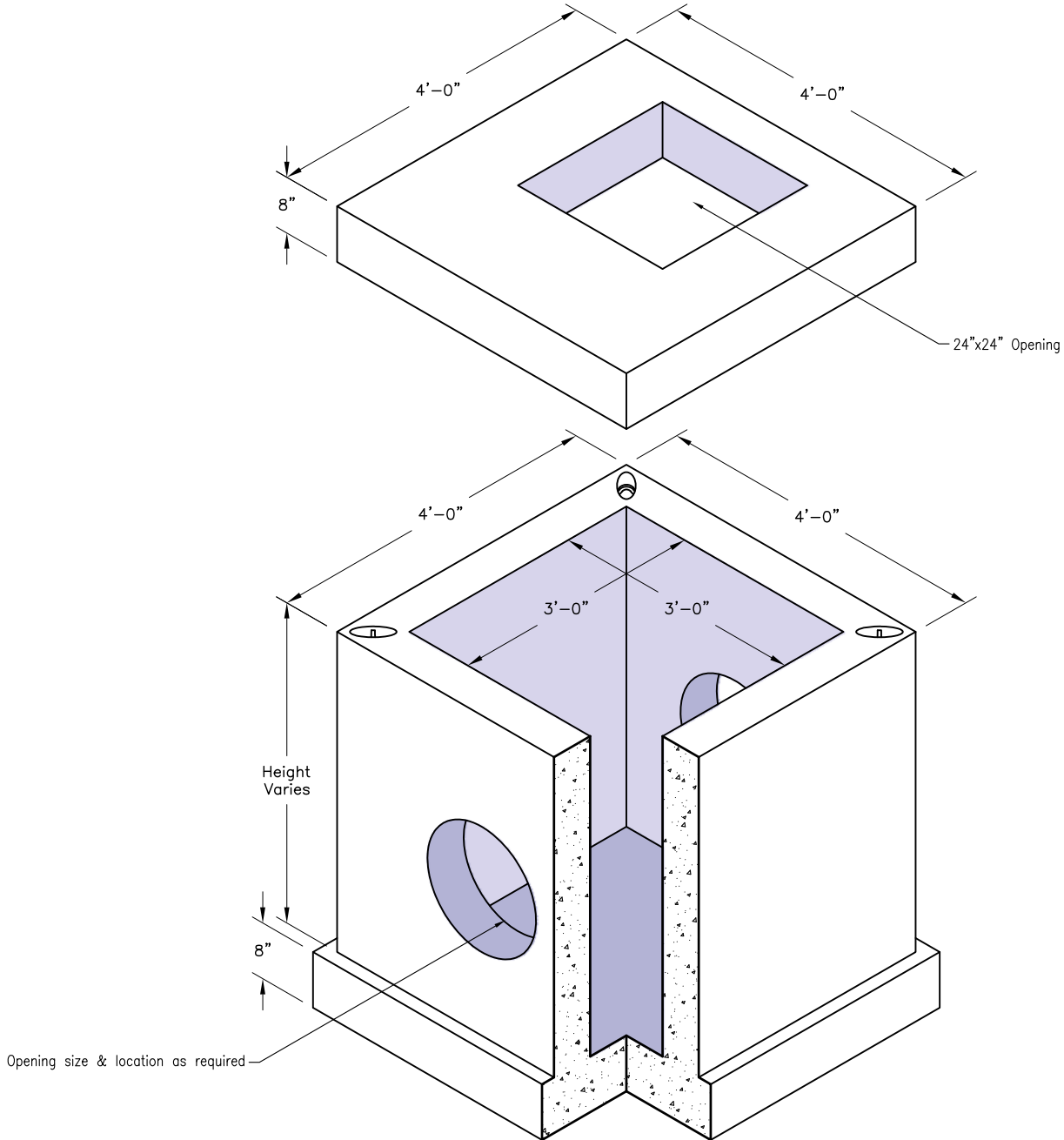


Area Drain



- GENERAL NOTES:**
1. Concrete: 28 Day Compressive Strength $f'_c = 4,000\text{psi}$.
 2. Steel Reinforcement: ASTM A-615, Grade 60.
 3. Manhole meets ASTM C-478 specifications.