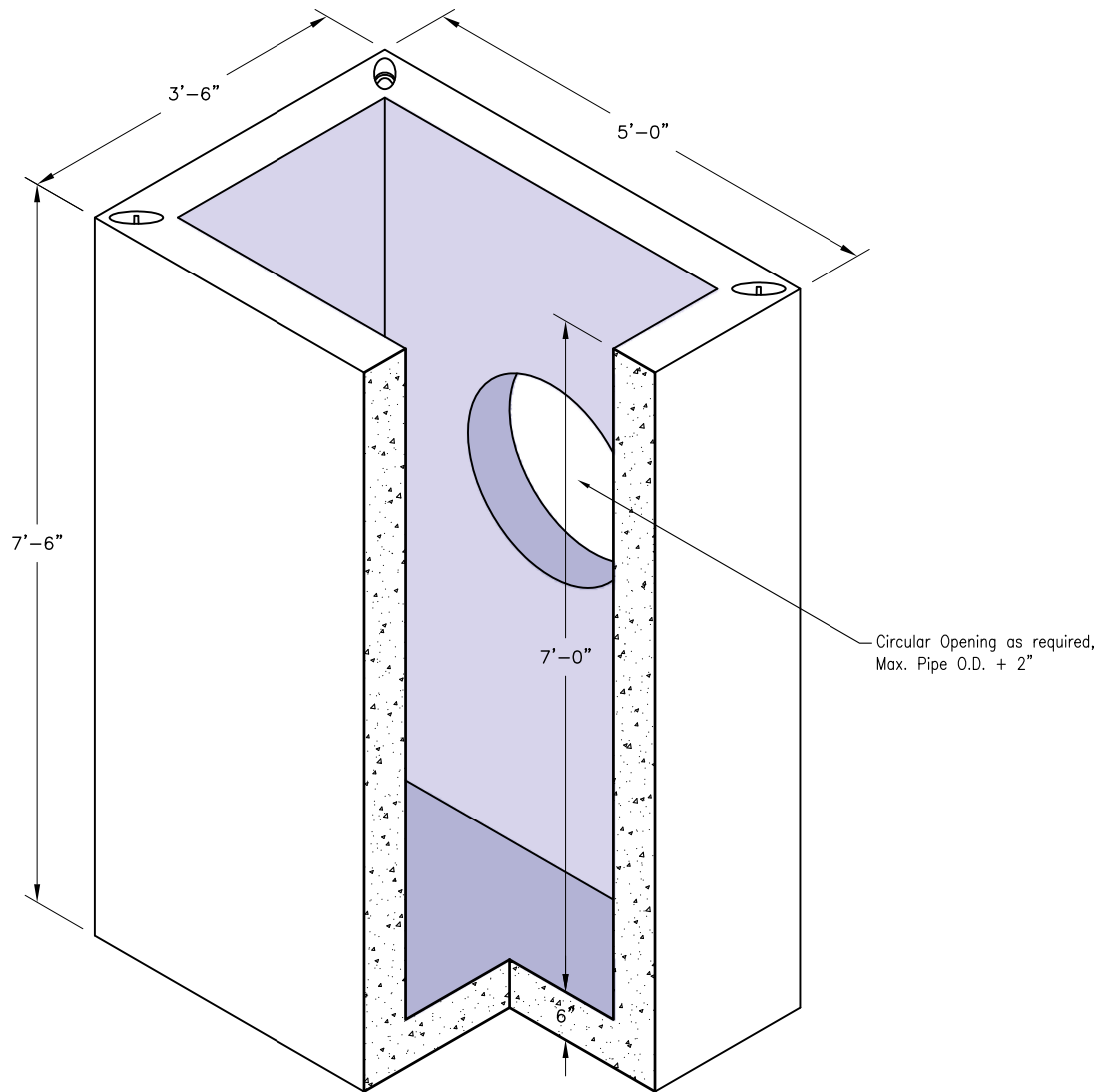


Aircraft Well Box Pit



GENERAL NOTES:

1. Concrete: 28 Day Compressive Strength $f'c = 4,000$ psi.
2. Steel Reinforcement: ASTM A-615, Grade 60.