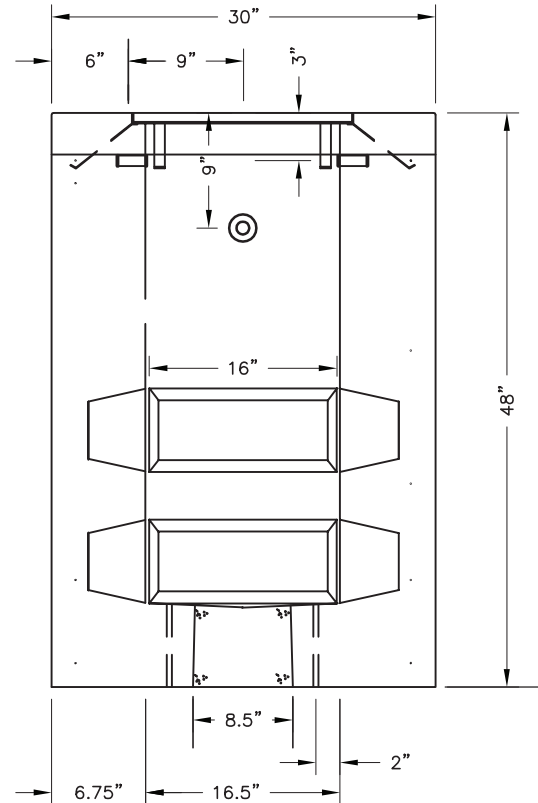


PLAN VIEW
N.T.S.



SECTION B-B
N.T.S.

GENERAL NOTES:

1. Compacted 3/4" gravel or broken stone base required for all precast units, Minimum Depth = 8".
2. A 18" x 8" x 4" recess to be provided in side and end walls as shown.
3. After installation of conduit, all open recesses are to be completely bricked and finished.
4. Precast Junction Box Foundation may be installed behind the guide rail or in areas where the slope is less than 1:22.
5. Align conduits.
6. Concrete strength to be 4,000 PSI @ 28 days.