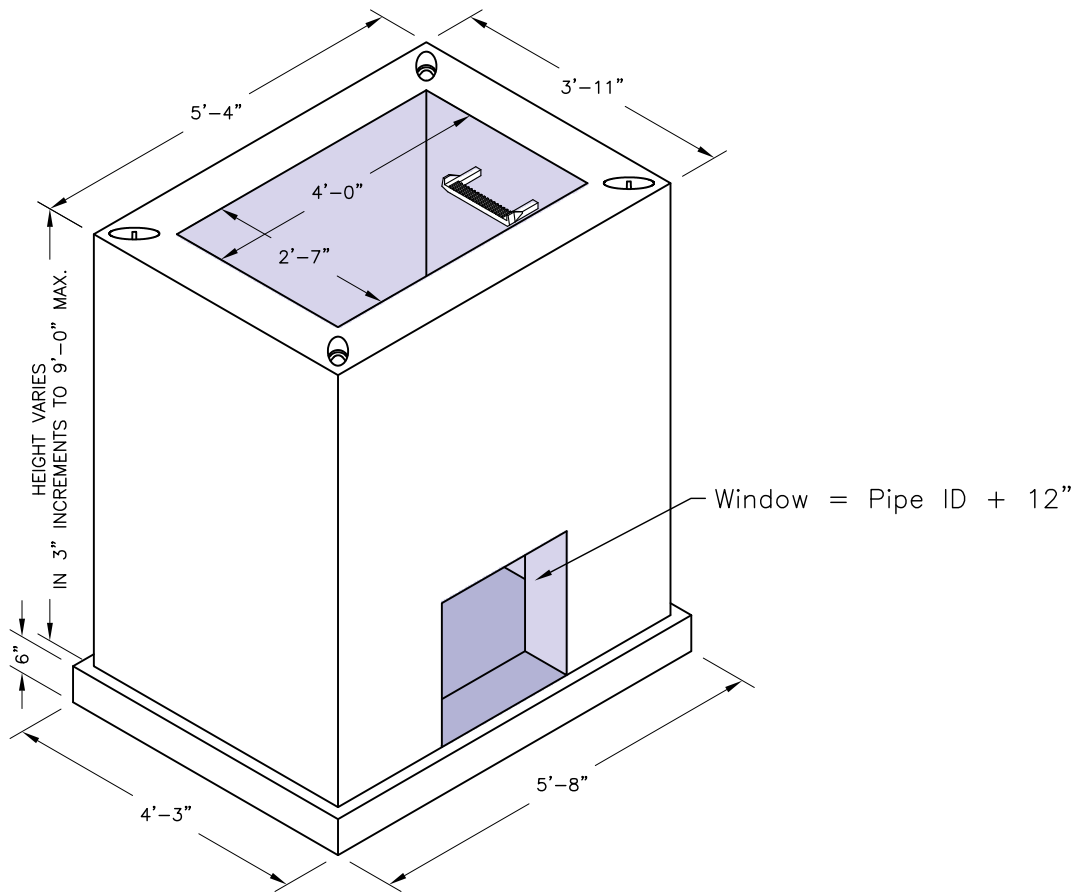


Suffolk County
Catch Basin



SPECIFICATIONS:

1. Concrete: 28 Day Compressive Strength $f'_c = 4,000$ psi.
2. Steel reinforcement: ASTM A-615, Grade 60.