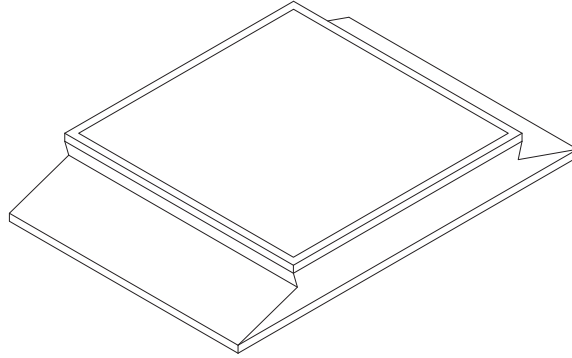
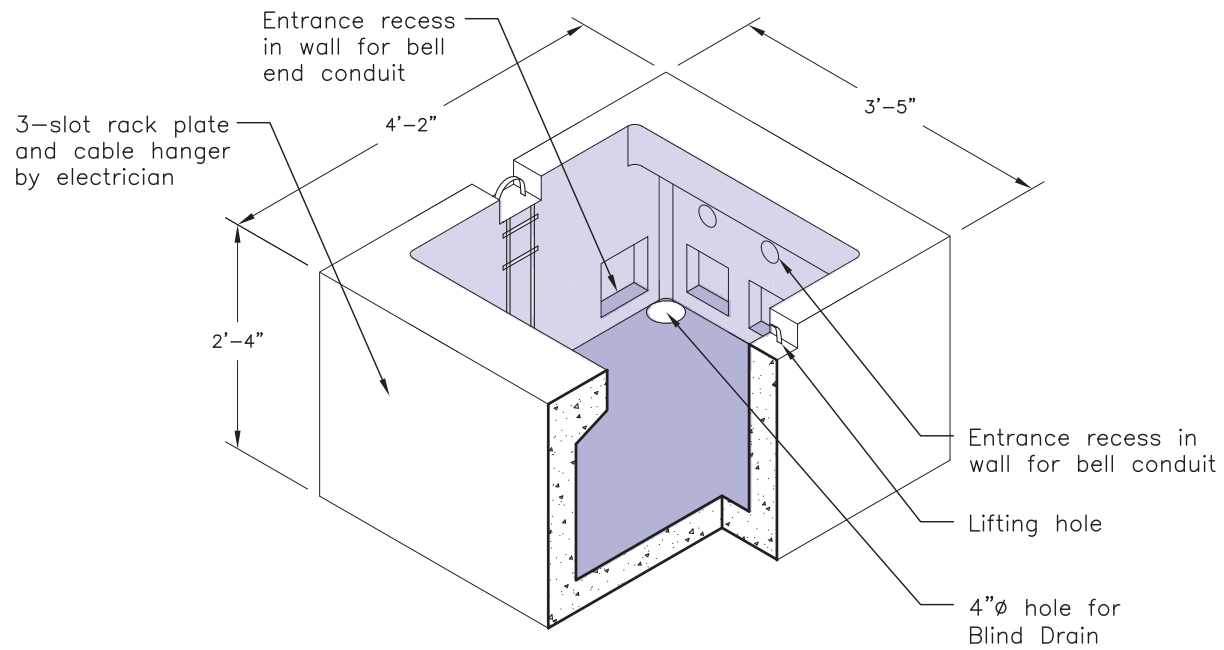


Frame & Cover

Frame type Q8-7
Cover type Q8-5



Body



SPECIFICATIONS:

1. Concrete: 28 Day Compressive Strength
f'c = 4,000 psi.
2. Drawing shows only basic size at knockout vicinity, reinforcement detail upon request.
3. Wire tie reinforcement at points of intersection.