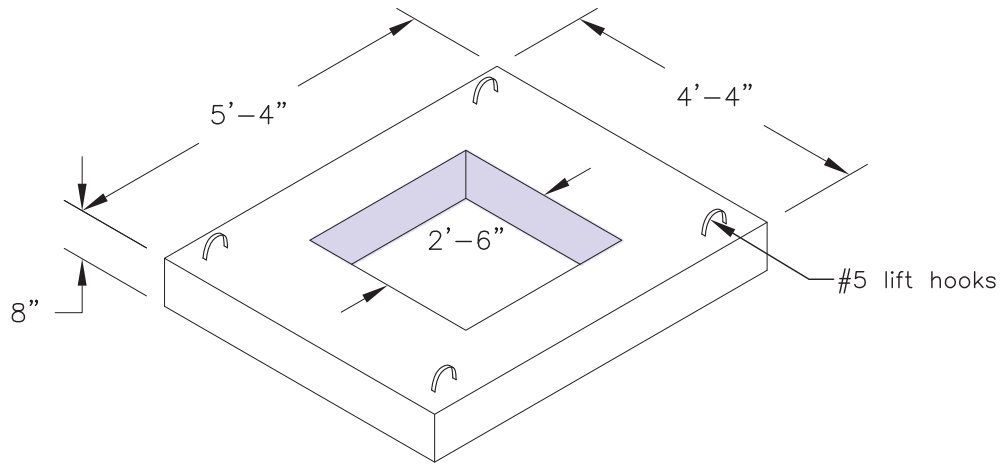
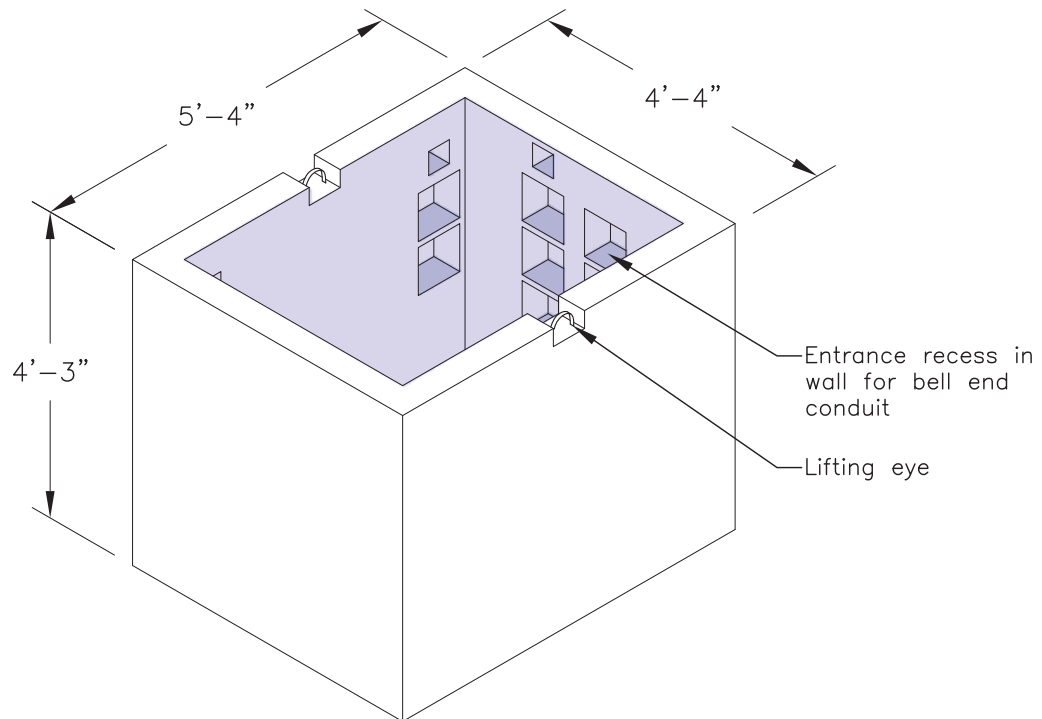


Top Slab



Body



SPECIFICATIONS:

1. Concrete: 28 Day Compressive Strength
f'c = 4,000 psi.
2. Drawing shows only basic size at knockout vicinity,
reinforcement detail upon request.
3. Casting not shown/required, if needed Q8-7 w/ 30"
cl. opening.
4. Designed for AASHTO HS-20 loading.