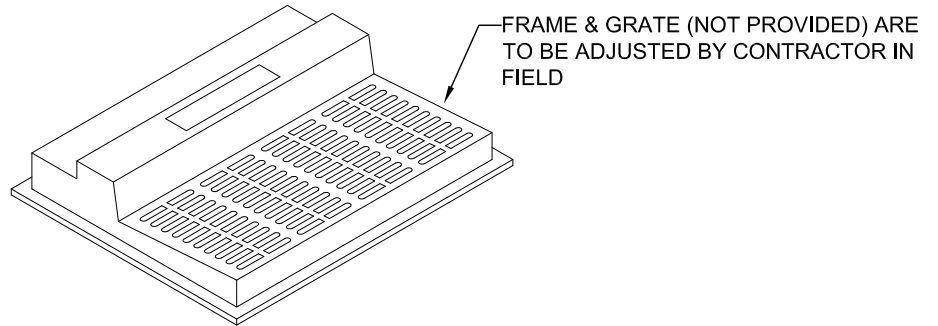


**Frame & Grate**

By Others



**Type "B2", "D2", OR "E2" Inlet**

