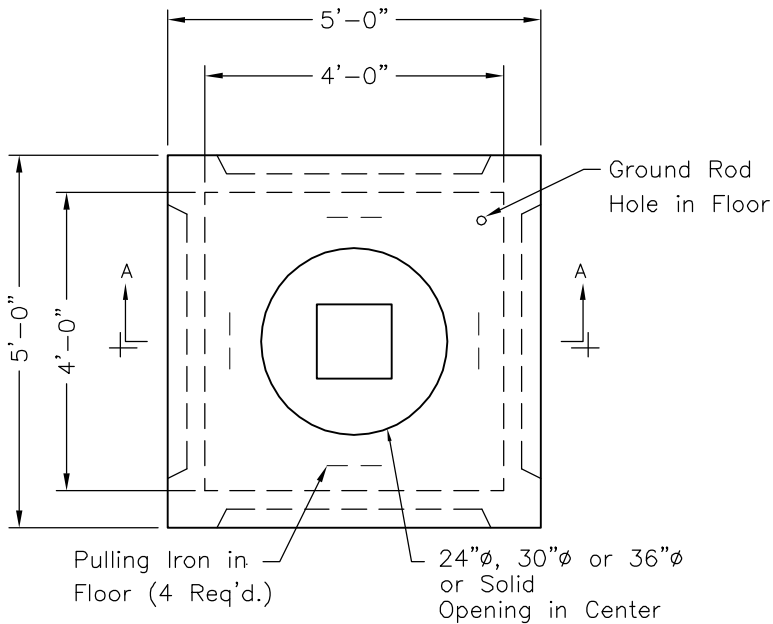


**GENERAL NOTES:**

1. Concrete: 28 Day Compressive Strength  $f'_c = 5,000$  psi
2. Steel Reinforcement: ASTM A-615 Grade 60
3. Cover to Steel-1" Minimum
4. Vaults are Designed to Meet ASTM C858 and ACI 318 with AASHTO HS-25 Loading
5. Earth Cover-0 to 1 Feet
6. Construction Joint Sealed with 1" Dia. Butyl Rubber or Equivalent
7. Wall Thickness Available in 6", 8", 10" or 12"


**PLAN VIEW**
