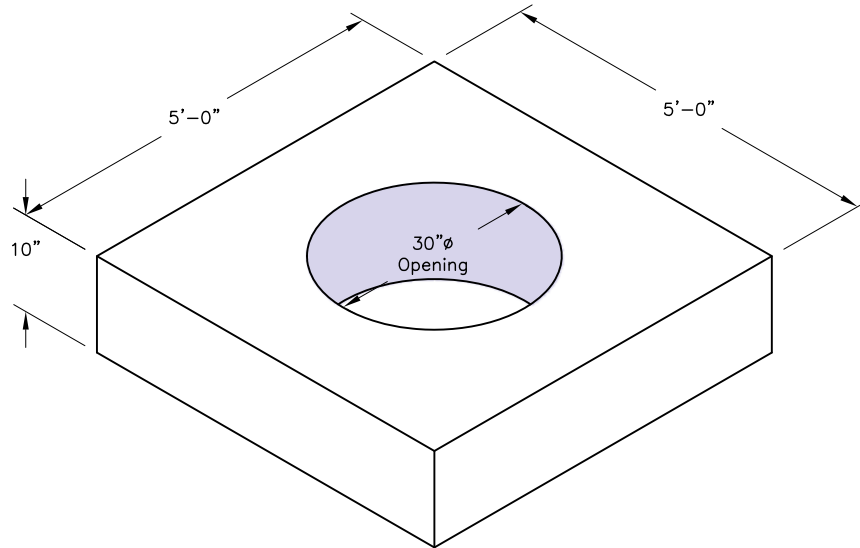
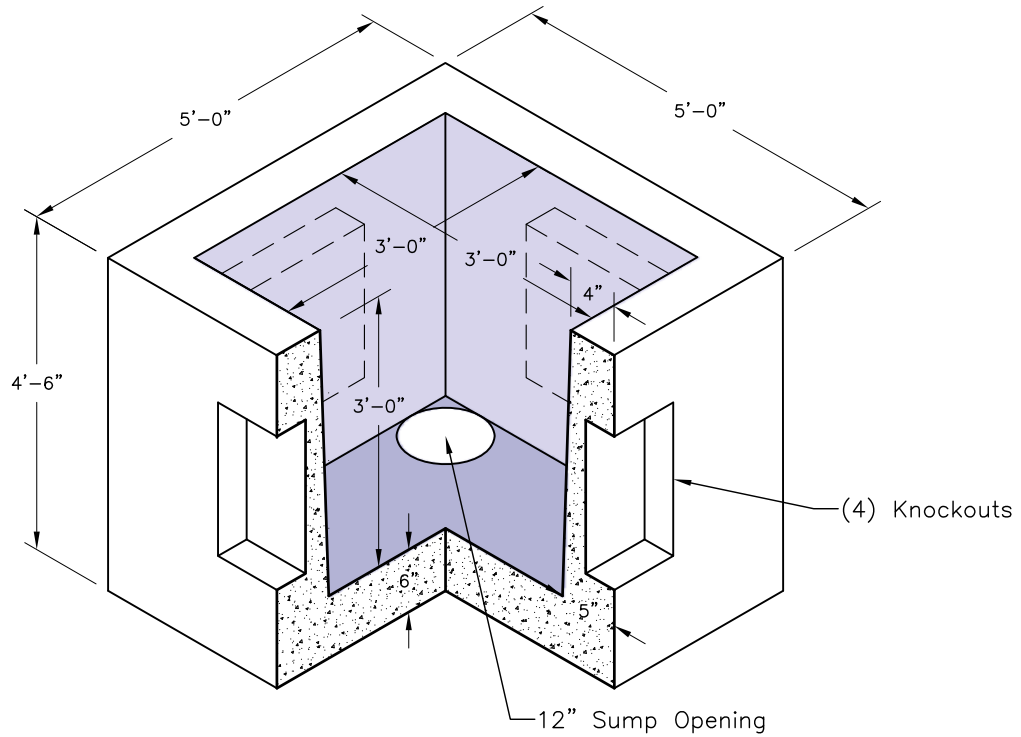


**Top Slab**

**Body**

**SPECIFICATIONS:**

1. Concrete: 28 Day Compressive Strength  
f'c = 4,000 psi.
2. Steel reinforcement: ASTM A-615, Grade 60,  
ASTM A-185.

**GENERAL NOTES:**

1. Cast iron cover and racking not shown is supplied,  
and installed by contractor in field.