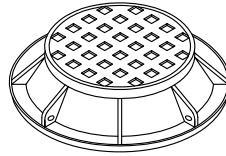
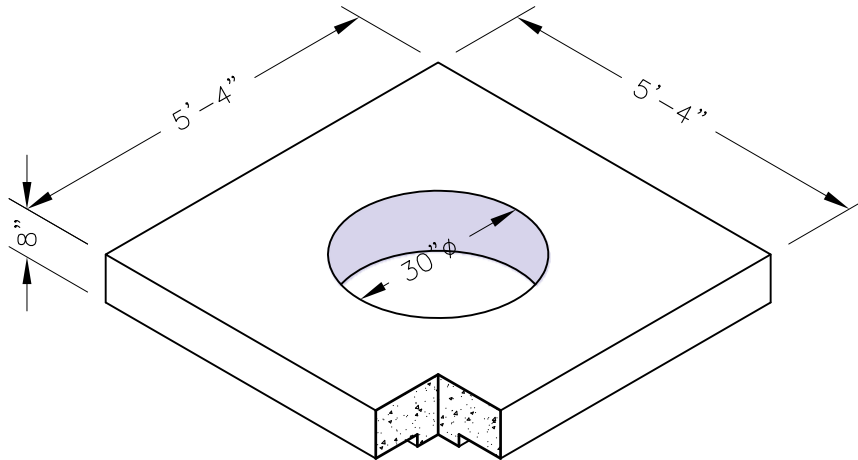


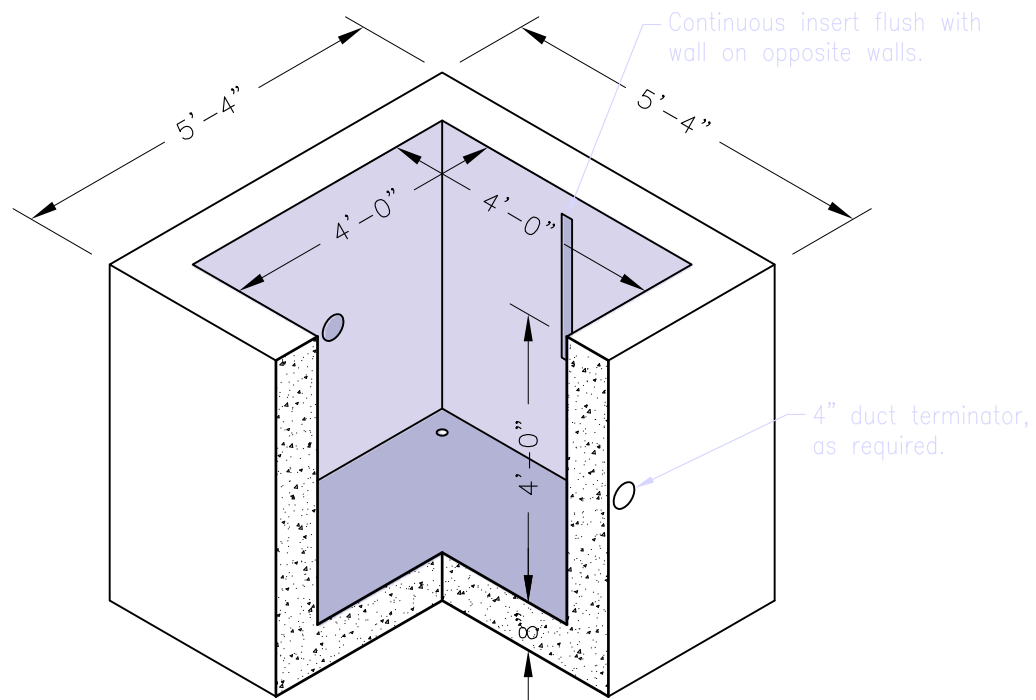
**Frame & Cover**



**Top Slab**



**Base**



**GENERAL NOTES:**

1. Concrete: 28 Day Compressive Strength  $f'c = 4,000\text{psi}$ .
2. Steel Reinforcement: ASTM A-615, Grade 60.
3. Continuous insert to be unistrut P-3200 hot dip galvanized with end caps.