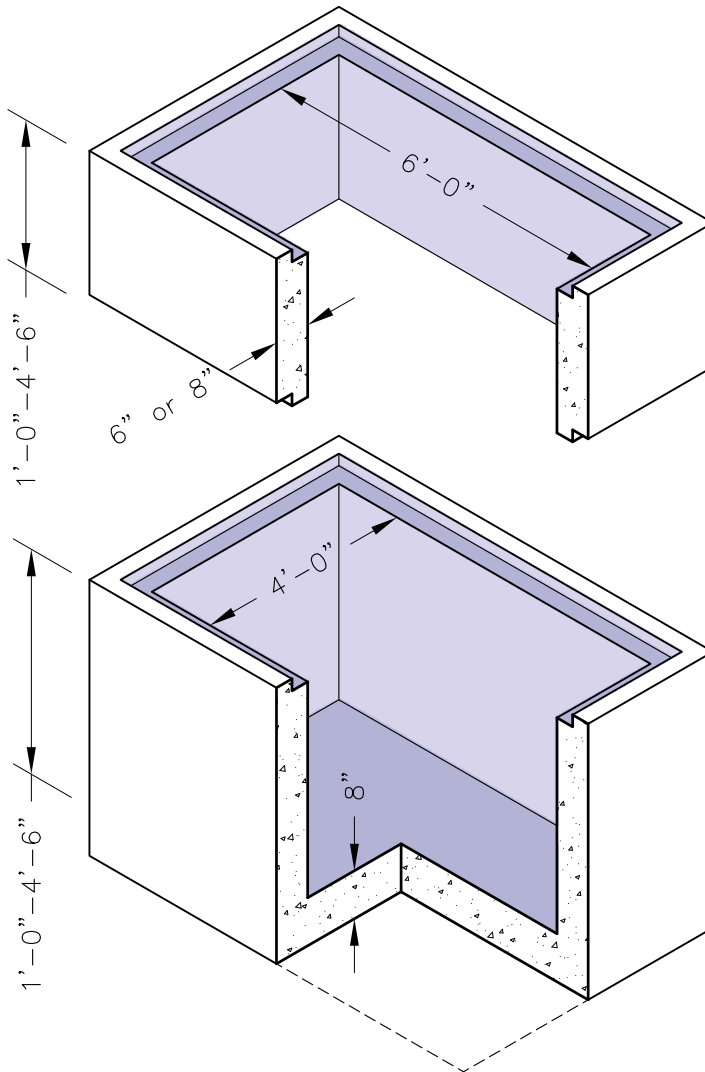


Wall Thickness	Base Slab Weight	1'-0" Riser Weight
6"	2,620 lbs.	1,160 lbs.
8"	3,920 lbs.	2,280 lbs.


SPECIFICATIONS:

1. Concrete shall be 4000 PSI at 28 day compressive strength.
2. Structure conforms to ASTM C913-02.
3. Design: HS-25 traffic loading.

GENERAL NOTES:

1. Sections to be made in 6" increments.