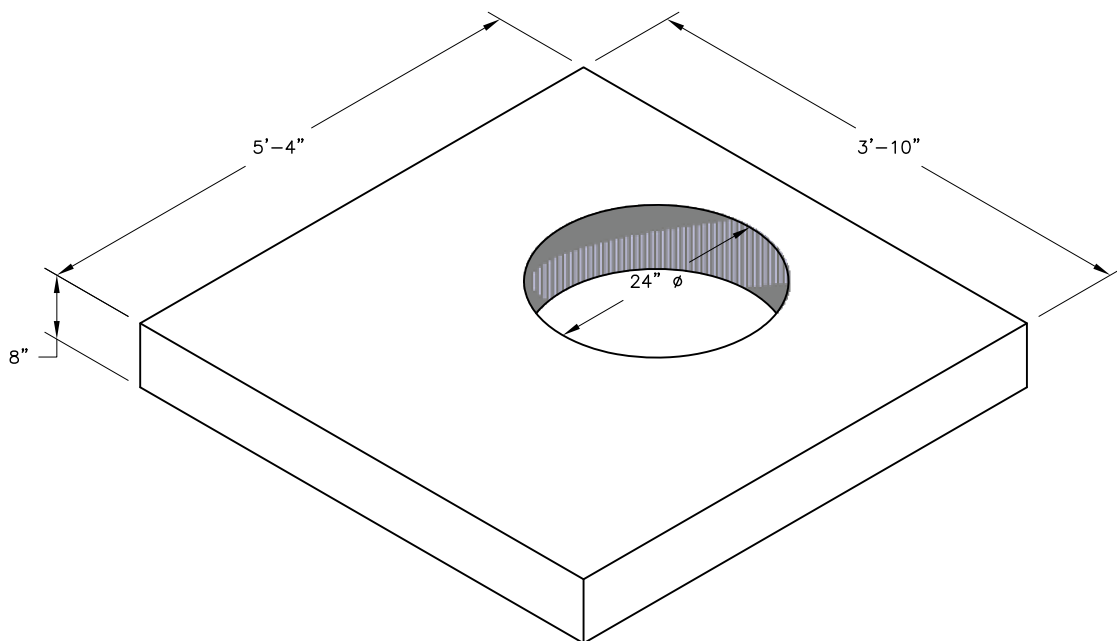


**Top Slab****SPECIFICATIONS:**

1. Concrete Class 40: 28 Day Compressive Strength  
 $f_c = 4000$  PSI.
2. Steel reinforcement: ASTM A-615, Grade 60, ASTM A-185.