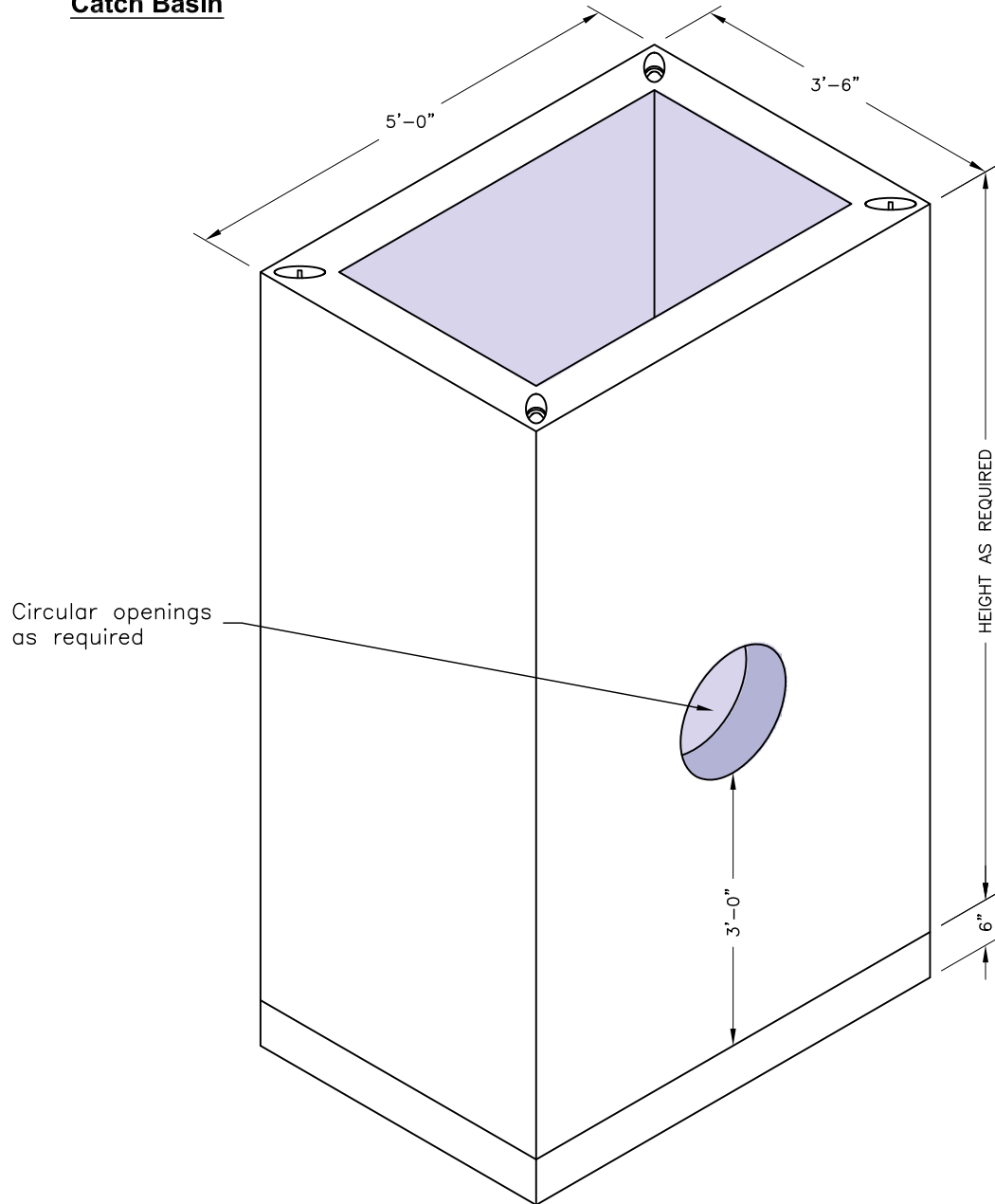


**NY & NJ Port Authority
Catch Basin****SPECIFICATIONS:**

1. Concrete: 28 Day Compressive Strength $f'_c = 4,000$ psi.
2. Steel reinforcement: ASTM A-615, Grade 60, ASTM A-185.
3. Wall heights of the structures detailed shall vary in 6" increments.
4. Pipe openings are 3" larger than the outside dia. of the pipe.