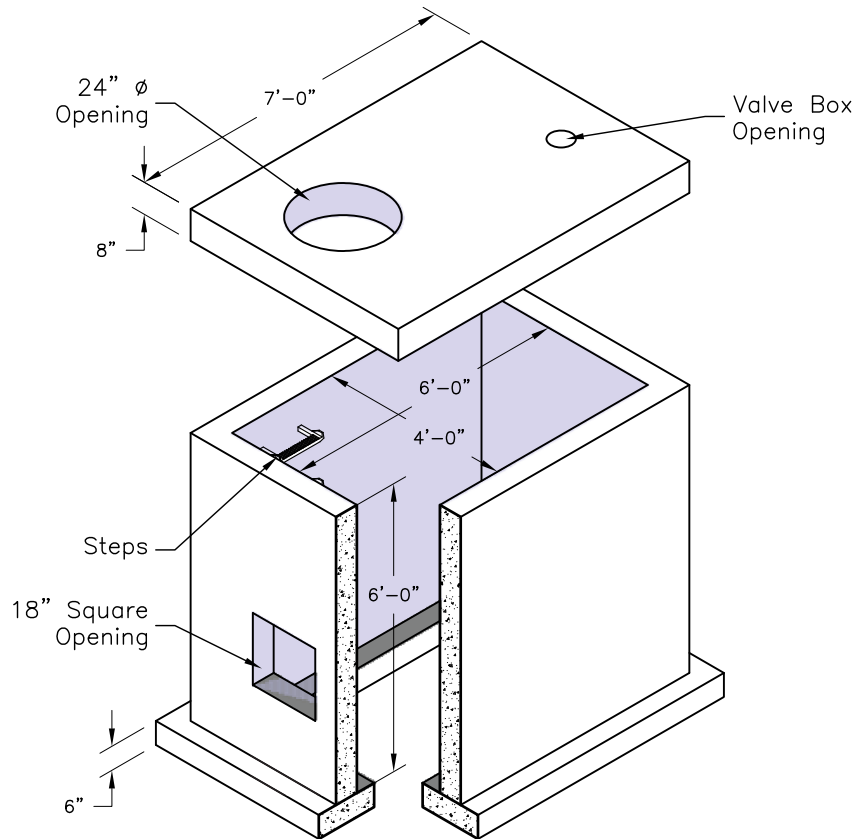


**DT-201 Roadway WMV****SPECIFICATIONS:**

1. Concrete: 28 day compressive strength  $f'c = 4,000$  psi.
2. Steel Reinforcement: ASTM A-615, Grade 60.
3. Bottom and top slabs are detached.