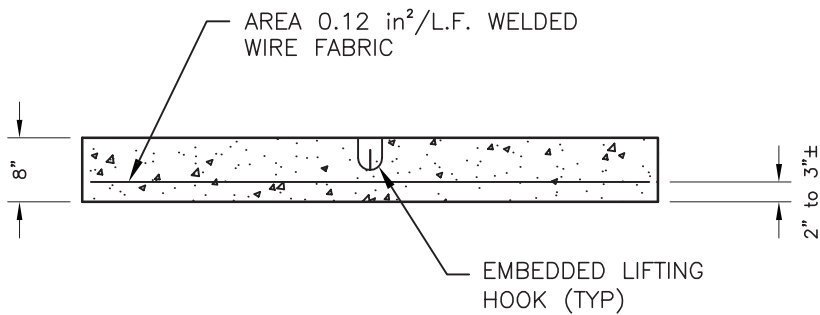


PLAN VIEW



SECTION VIEW

SPECIFICATIONS:

1. Concrete: Has a design strength of 4,000 psi at 28 days.
2. Construction as per latest revision of ASTM C-913
3. Reinforcing provided is welded wire fabric as per ASTM A-185, Grade 70

GENERAL NOTES:

1. Any alteration to this drawing must be submitted to Oldcastle Precast, Inc. prior to production.