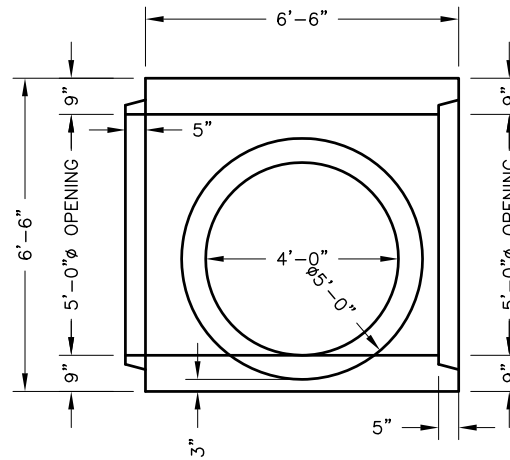
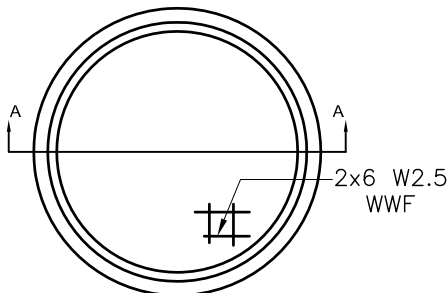
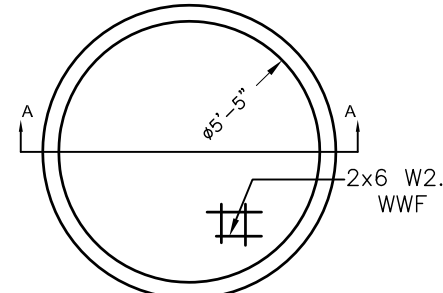
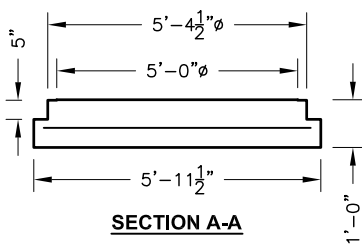
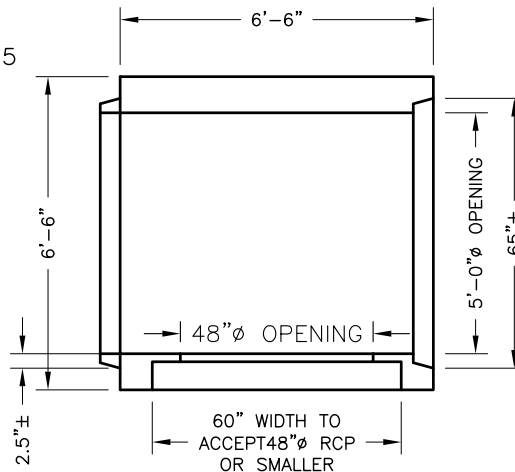
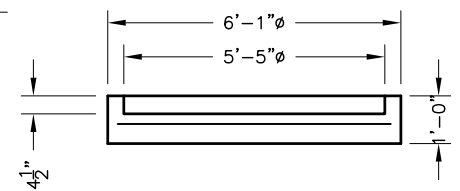

SIDE VIEW

FRONT VIEW

PLUG DETAIL

CAP DETAIL

SECTION A-A

PLAN VIEW

SECTION A-A
SPECIFICATIONS:

1. Concrete: Has a design strength of 4,000 psi at 28 days.
2. Construction as per latest revision of ASTM C-76 and designed for AASHTO HS-20 truck loading.
3. Wire welded fabric as per ASTM A-185, Grade 70.
 Inside Steel WWF Reinforcement = 2x8 W6
 Inside Steel Area = 0.36 in²/LF
 Outside Steel WWF Reinforcement = 3x6 W5
 Outside Steel Area = 0.20 in²/LF

GENERAL NOTES:

1. Bell & spigot joints available.
2. Manhole openings available upon request.
3. Any alteration to this drawing must be submitted to Oldcastle Precast, Inc. prior to production.