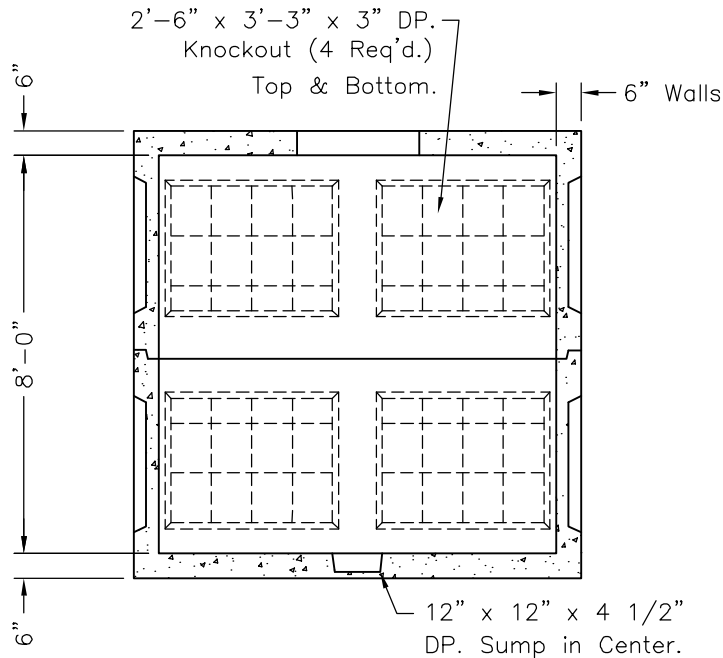
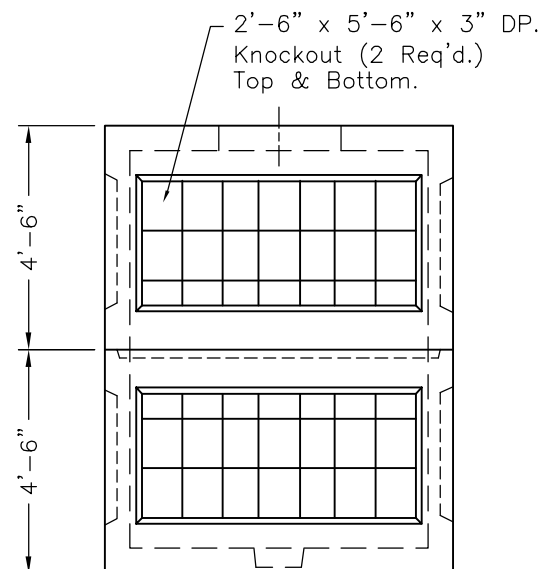

**PLAN VIEW**
**GENERAL NOTES:**

1. Concrete: 28 Day Compressive Strength  $f'_c = 5,000$  psi
2. Steel Reinforcement: ASTM A-615 Grade 60
3. Cover to Steel-1" Minimum
4. Vaults are Designed to Meet ASTM C858 and ACI 318 with AASHTO HS-20 Loading
5. Earth Cover-0 to 1 Feet
6. Construction Joint Sealed with 1" Dia. Butyl Rubber or Equivalent
7. Wall Thickness Available in 6", 8", or 10"
8. Stock Structure has Inserts Cast into the Inside Surfaces in a Stock Pattern. Pattern Available Upon Request.


**SECTION A-A**

SCALE: 1/4" = 1'-0"


**END VIEW**