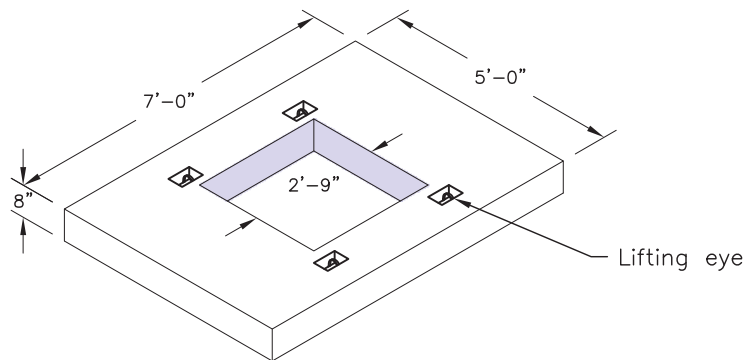
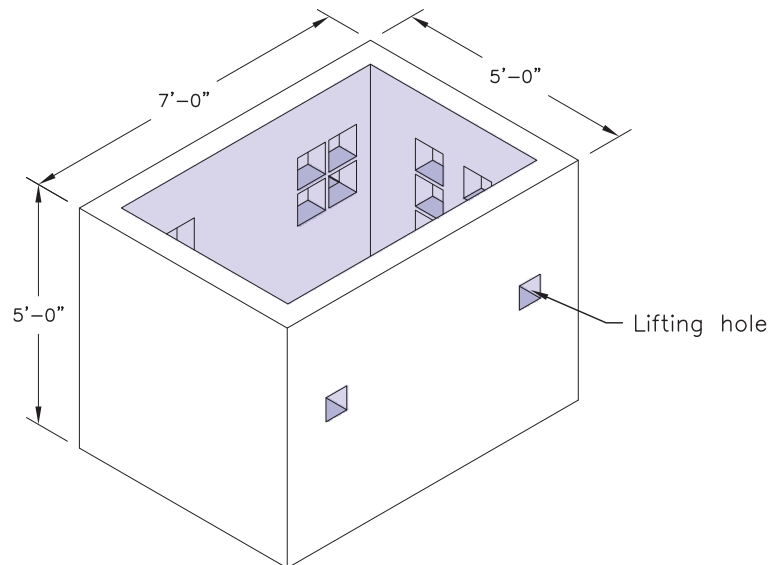
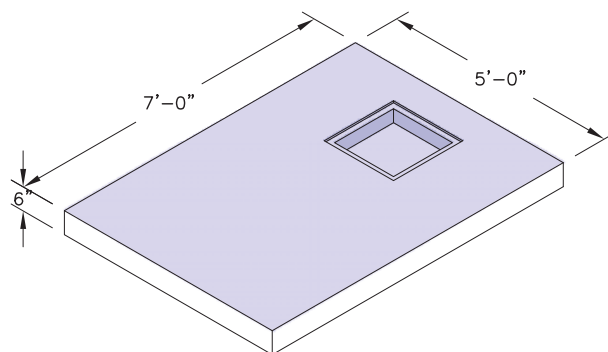


Top Slab**Body****Bottom Slab****SPECIFICATIONS:**

1. Concrete: 28 Day Compressive Strength
 $f'c = 4,000$ psi.
2. Drawing shows only basic size at knockout vicinity,
reinforcement detail upon request.
3. Top & bottom slabs as required.