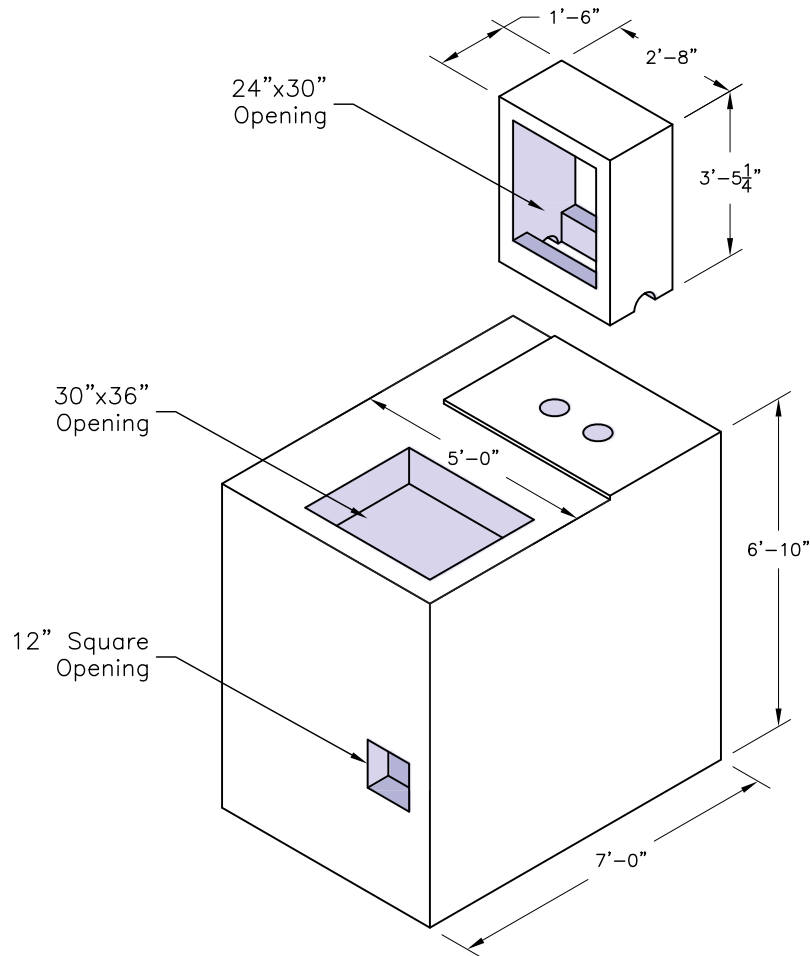


RPZ Box**SPECIFICATIONS:**

1. Concrete: 28 day compressive strength $f'_c = 4,500$ psi.
2. Steel Reinforcement: ASTM A-615, A-185.
3. Optional steps not shown.