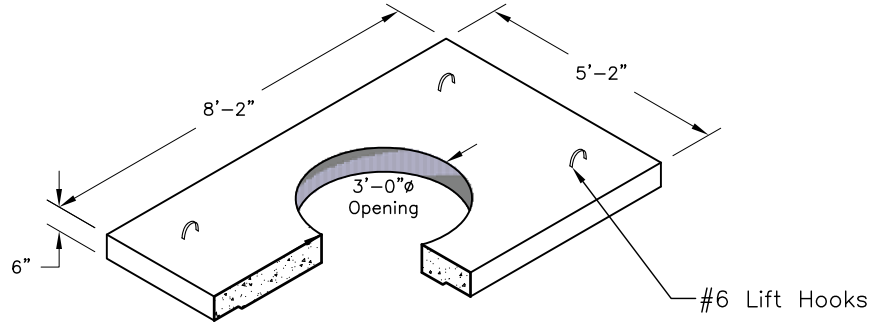
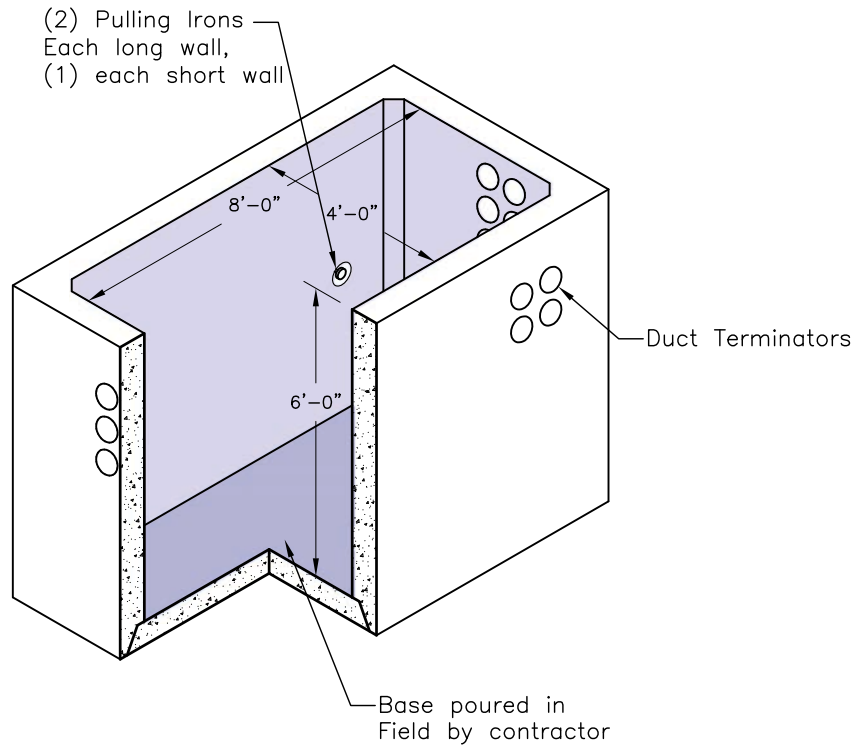


Top Slab



Body

Weight: 16,500 lbs



SPECIFICATIONS:

1. All imbedded items meet NY Telephone specifications.
2. See NY Telephone specifications for reinforcement details and 1/2" hanger inserts.