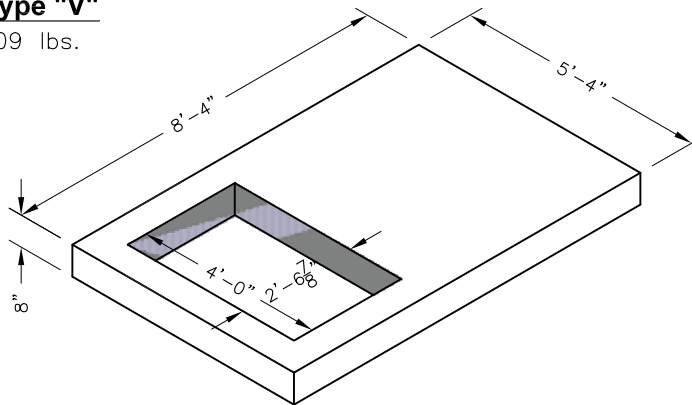
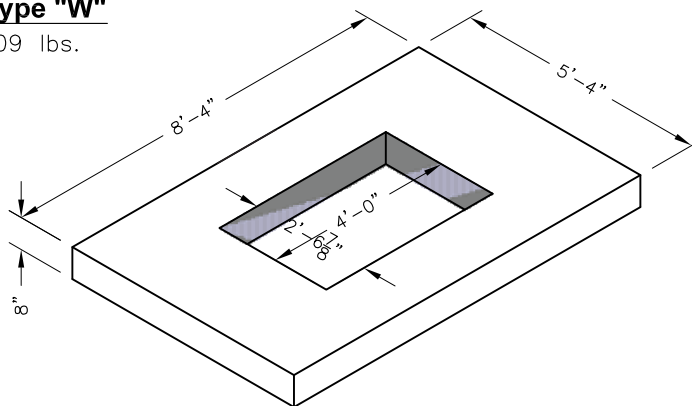
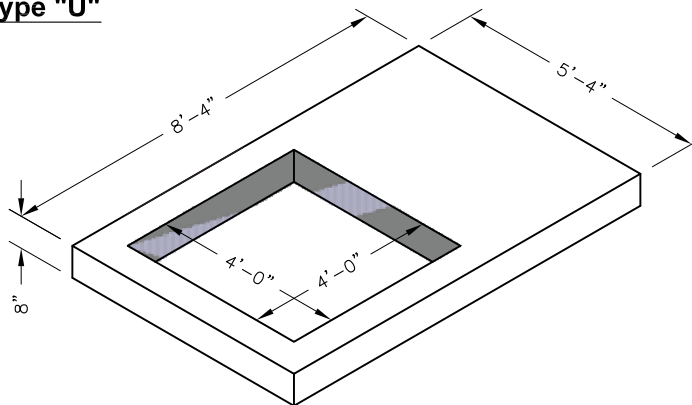


Top Slab Type "V"

Weight: 3,409 lbs.


Top Slab Type "W"

Weight: 3,409 lbs.


Top Slab Type "U"

SPECIFICATIONS:

1. Concrete: 28 Day Compressive Strength $f'_c = 4,000\text{psi}$.
2. Reinforcement meets ASTM A-615, Grade 60.
3. Refer to SCDPW standard sheet SC100D-88 for all other requirements.