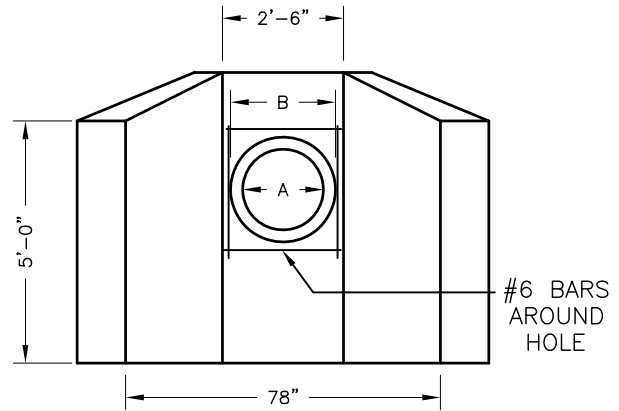
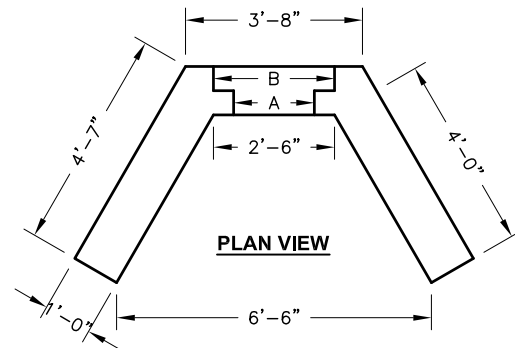

SIDE VIEW

FRONT VIEW

	A	B	C
12" RCP	12"	20"	40"
15" RCP	15"	24"	36"
18" RCP	18"	27"	33"
21" RCP	21"	30"	30"
Weight ≈ 9,650 lbs.			


PLAN VIEW
SPECIFICATIONS:

1. Concrete: Has a design strength of 4,000 psi at 28 days.
2. Construction as per latest revision of ASTM C-890
3. Reinforcement bars as per ASTM A-615, Grade 60
Horizontal Spacing = #4 Bars @ 12" C.C.
Vertical Spacing = #4 Bars @ 12" C.C.

GENERAL NOTES:

1. Any alteration to this drawing must be submitted to Oldcastle Precast, Inc. prior to production.
2. Hole for pipe to be two stage hole.