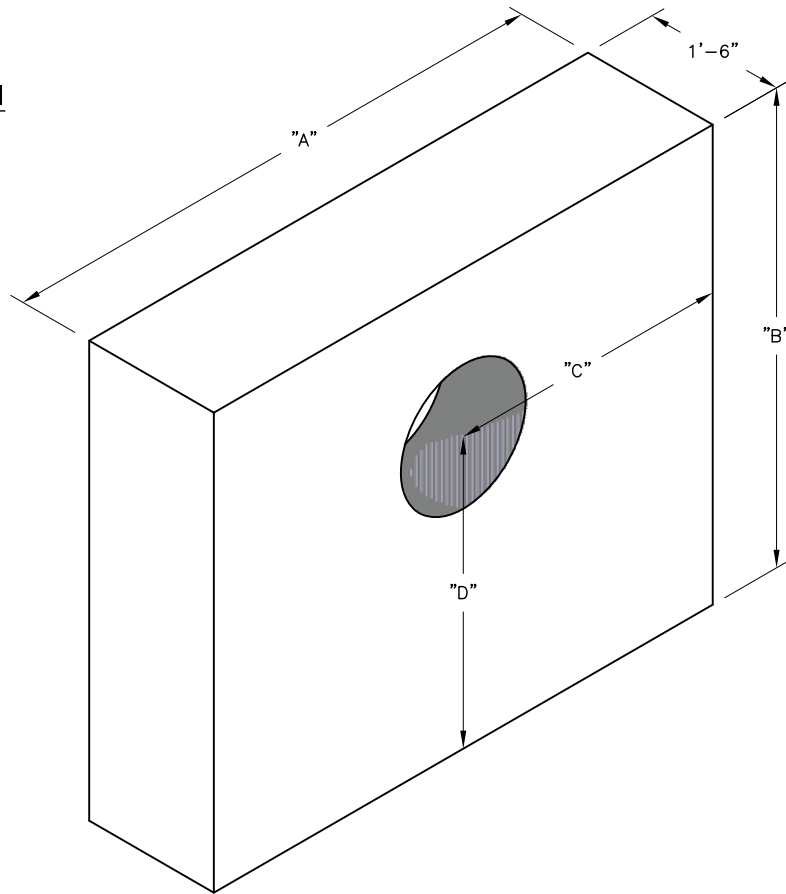


**Straight Headwall**


SPECIFICATIONS					
PIPE $\phi$	A	B	C	D	WEIGHT/LBS.
12"	60"	54"	54"	36"	4520
15"	78"	60"	60"	37-1/2"	6525
18"	90"	60"	60"	39"	7385
21"	108"	64"	64"	40-1/2"	9570
24"	120"	66"	72"	42"	10825
27"	138"	72"	78"	43-1/2"	13770
30"	150"	72"	96"	45"	14530
33"	168"	78"	64"	46-1/2"	17680
36"	180"	78"	72"	48"	18875
42"	210"	72"	84"	51"	23425
48"	240"	96"	90"	54"	28975

**SPECIFICATIONS:**

1. Concrete: 28 Day Compressive Strength  $f'_c = 4,000$  psi.
2. Steel reinforcement: ASTM A-615, Grade 60, ASTM A-185.
3. All top edges to have 1" bevel.
4. Special sizes not listed can be manufactured upon request.