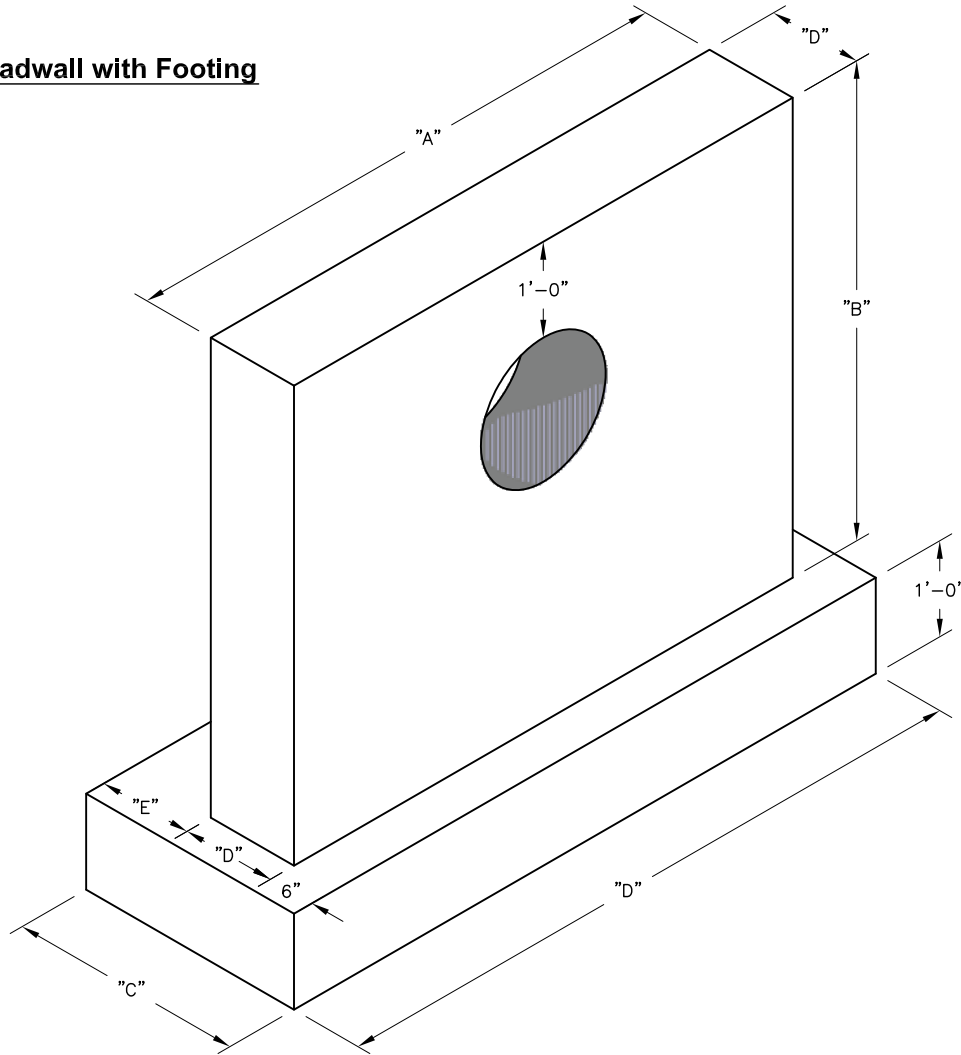


Straight Headwall with Footing

SPECIFICATIONS:

1. Concrete: 28 Day Compressive Strength $f'_c = 4,000$ psi.
2. Steel reinforcement: ASTM A-615, Grade 60, ASTM A-185.
3. All top edges to have 1" bevel.
4. Special sizes not listed can be manufactured upon request.

SPECIFICATIONS

PIPE ϕ	WALL OPENING	A	B	C	D	E	WEIGHT/LBS.
12"	20"	60"	48"	24"	12"	6"	4420
15"	24"	72"	60"	30"	12"	12"	6575
18"	28"	72"	60"	30"	12"	12"	6575
21"	30"	120"	72"	30"	12"	12"	12250
24"	34"	120"	72"	30"	12"	12"	12250
30"	42"	120"	72"	30"	12"	12"	12250
36"	48"	192"	90"	36"	15"	15"	27500
42"	54"	192"	90"	36"	15"	15"	27500
48"	64"	192"	90"	36"	15"	15"	27500