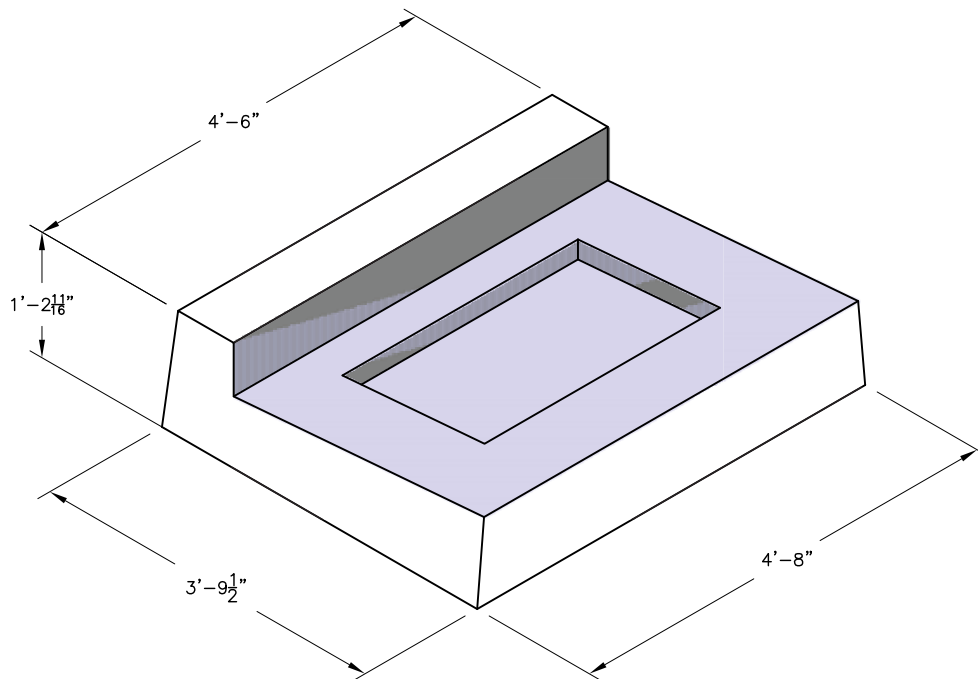


Inlet**SPECIFICATIONS:**

1. Concrete: 28 Day Compressive Strength $f'_c = 4,500$ psi.
2. Steel reinforcement: ASTM A-615, Grade 60, ASTM A-185, Grade 65.
3. Cover to cover = 1" unless noted otherwise.
4. Designed per ACI 318-02.
5. Live load = AASHTO HS-20 + impact.
6. Earth cover - 1 ft. min. - 2 ft. max.
7. Unit weight of earth = 110lb./cu.ft.