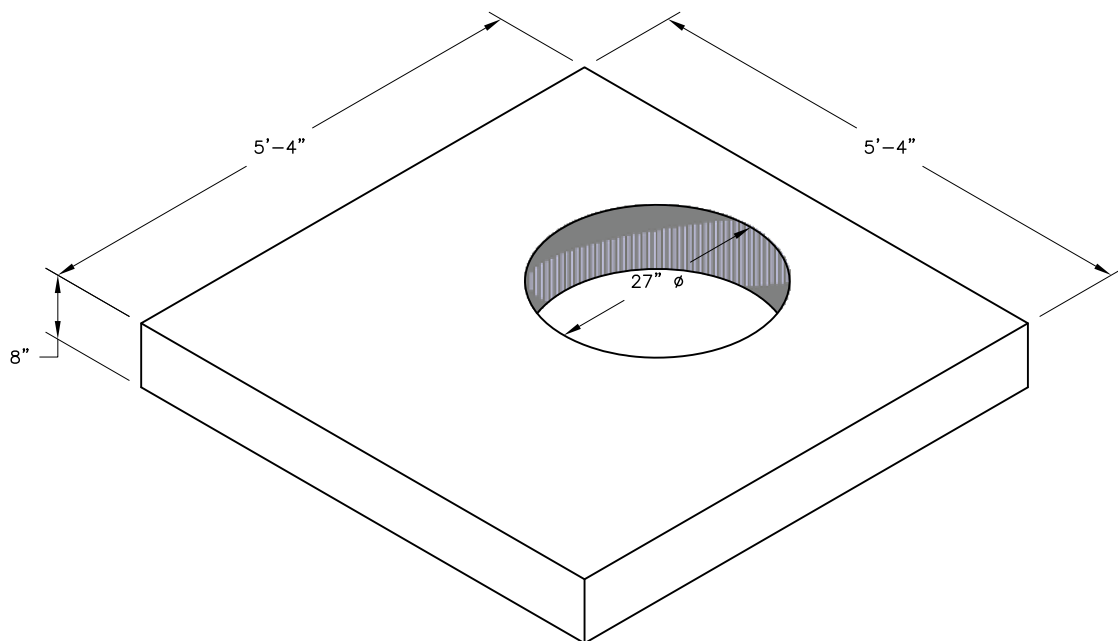


Top Slab**SPECIFICATIONS:**

1. Concrete Class 40: 28 Day Compressive Strength
 $f'_c = 4000$ PSI.
2. Steel reinforcement: ASTM A-615, Grade 60, ASTM A-185.