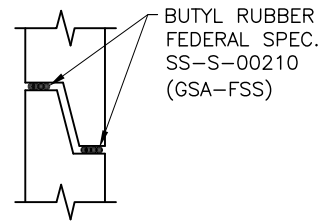
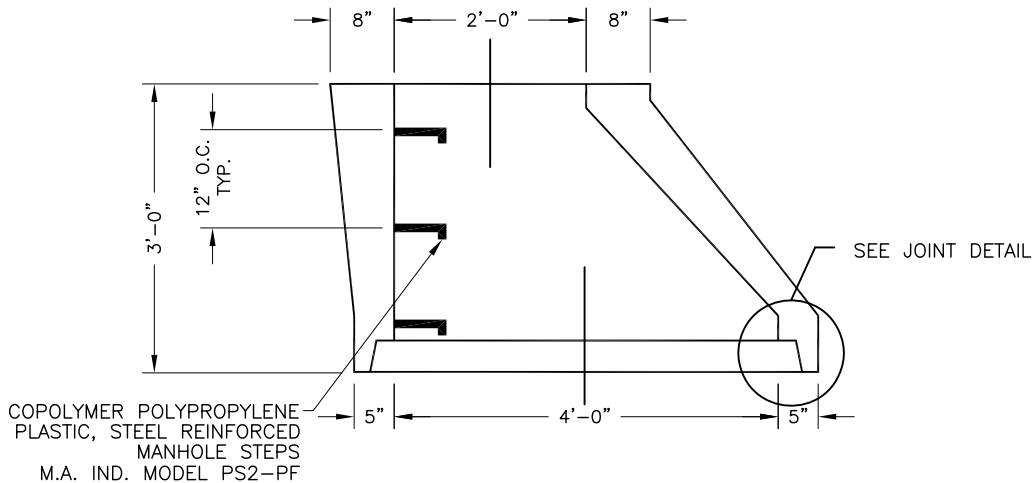


PLAN



BUTYL RUBBER
 FEDERAL SPEC.
 SS-S-00210
 (GSA-FSS)

JOINT DETAIL



SECTION A-A

GENERAL NOTES:

1. Concrete: 28 Day Compressive Strength $f_c = 4,000\text{psi}$.
2. Steel Reinforcement: ASTM A-615, Grade 60, ASTM A-185.