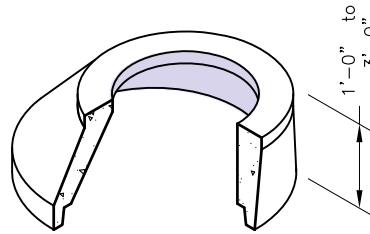
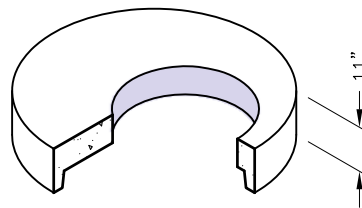


**48" Dia. Cone**

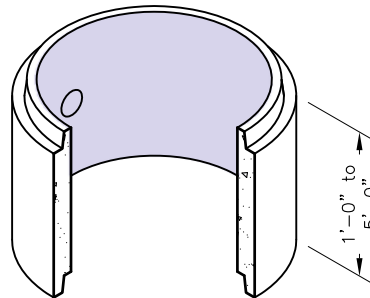
Height	Weight
2'-0"	1,800 lbs
3'-0"	2,840 lbs
4'-0"	3,840 lbs


**48" Dia. Flat Slab**

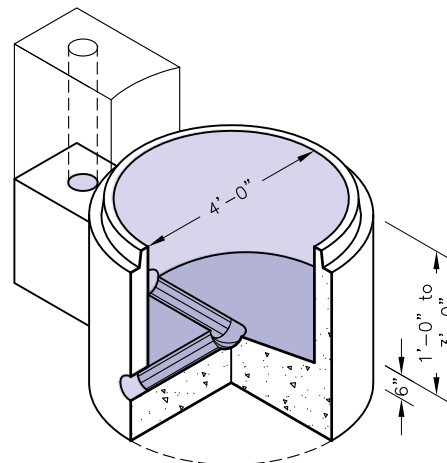
Access	Weight
2'-0"	1,760 lbs
2'-6"	1,332 lbs


**48" Dia. Riser**

1'-0" of Riser Weight: 880 lbs.


**48" Dia. Drop Base**

Base Slab Weight: 1,540 lbs  
 1'-0" of Riser Weight: 880 lbs.


**GENERAL NOTES:**

1. Manhole walls, transition slabs, cones, tops and base sections meet or exceed the requirements of ASTM C-478-02.
2. Concrete: 28 Day Compressive Strength  $f'_c=4,500\text{psi}$
3. Design: HS-20 Traffic loading.