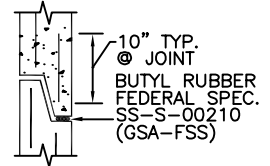
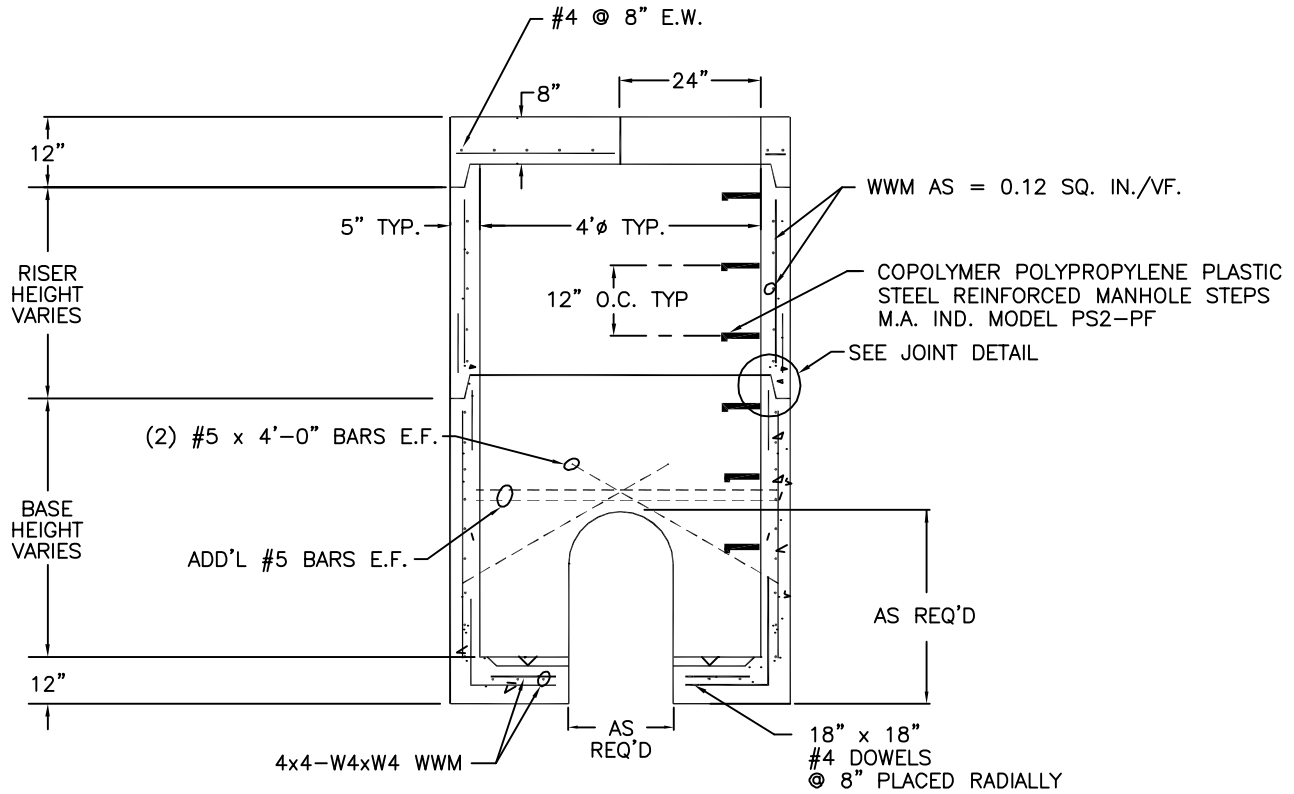


PLAN



JOINT DETAIL



SECTION A-A

GENERAL NOTES:

1. Concrete: 28 Day Compressive Strength $f_c = 4,000$ psi.
2. Steel Reinforcement: ASTM A-615, Grade 60, ASTM A-185.