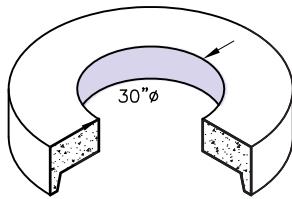
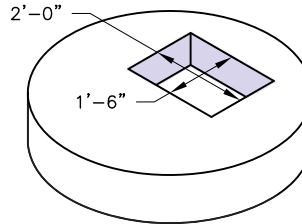
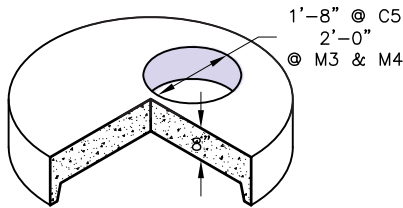


Cover Options

Plan Cover #3

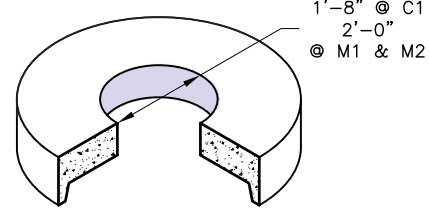
For C2


Plan Cover #4

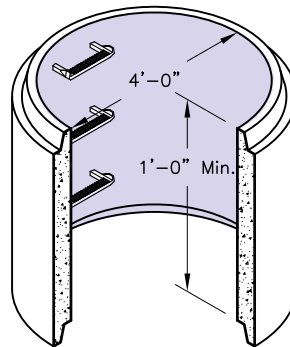
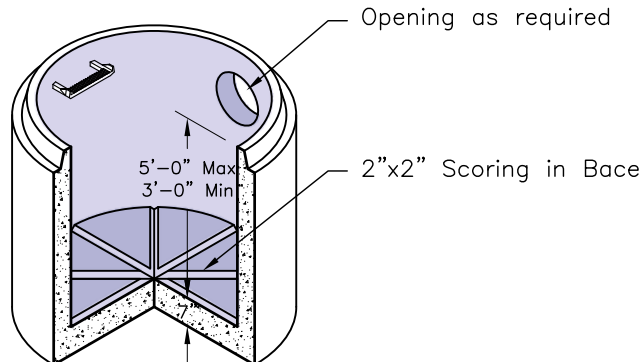
For C6 & C7


Plan Cover #1

For M3, M4 & C5


Plan Cover #2

For M1, M2 & C1

Riser Section

Base Section

SPECIFICATIONS:

1. Concrete: 28 Day Compressive Strength $f'c = 4,000$ psi.
2. Steel reinforcement: ASTM A-615, Grade 60, ASTM A-185.
3. Manhole meets ASTM C-478 specifications.
4. Designed for AASHTO HS-20 loading with cover.
5. Concrete bench (invert) to be poured in field, by others.