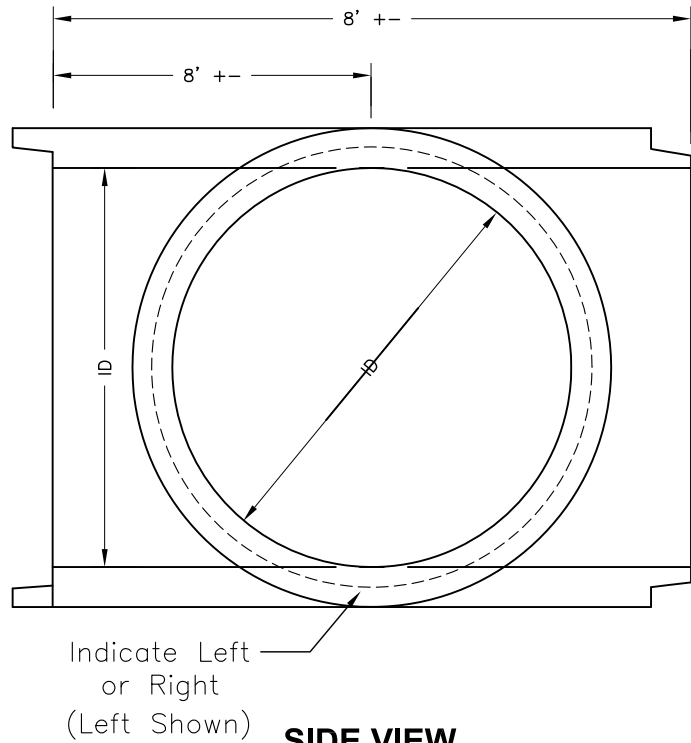
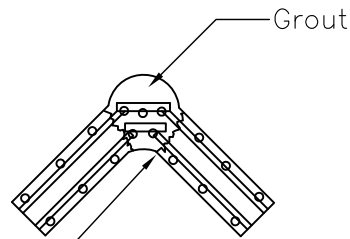


**END VIEW**  
Looking From  
Spigot to Bell



**SIDE VIEW**



Longitudinal Steel Shall be Rejoined and Sufficient Circumferential Steel to be Placed Close to Hold Grout in Place.

**FABRICATION DETAIL**