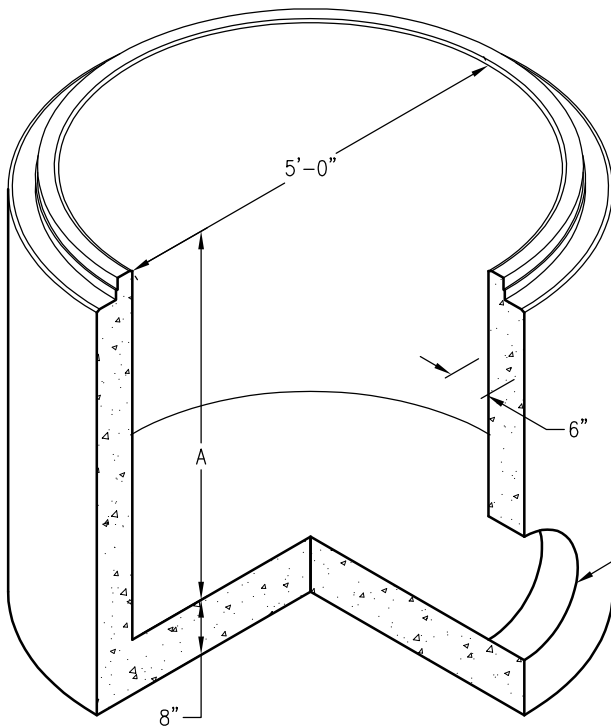


60"Ø BASE		
BASE DIA.	A	WEIGHTS LBS.
60"	24"	5,532
60"	30"	6,192
60"	36"	6,853
60"	42"	7,513
60"	48"	8,174
60"	54"	8,834
60"	60"	9,495
60"	66"	10,155
60"	72"	10,816



60"Ø BASE		
BASE DIA.	A	WEIGHTS LBS.
60"	24"	5,855
60"	30"	6,515
60"	36"	7,176
60"	42"	7,836
60"	48"	8,497
60"	54"	9,157
60"	60"	9,818
60"	66"	10,478
60"	72"	11,139

PIPE OPENINGS PER PLANS
GROUT CONNECTION
(OTHER CONNECTIONS AVAILABLE)

DRAWING MAY NOT CONFORM TO THE MOST CURRENT SPECIFICATION