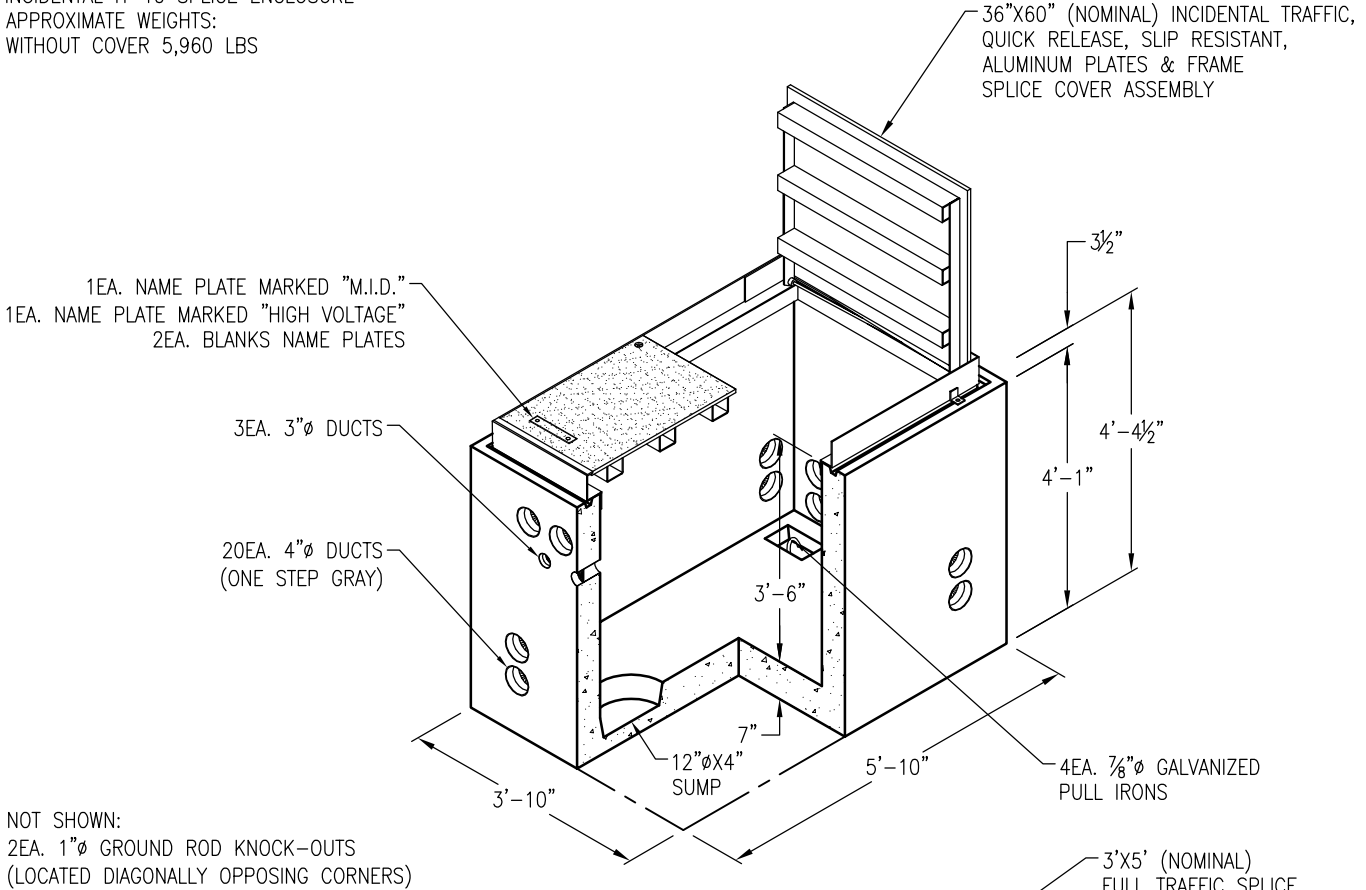
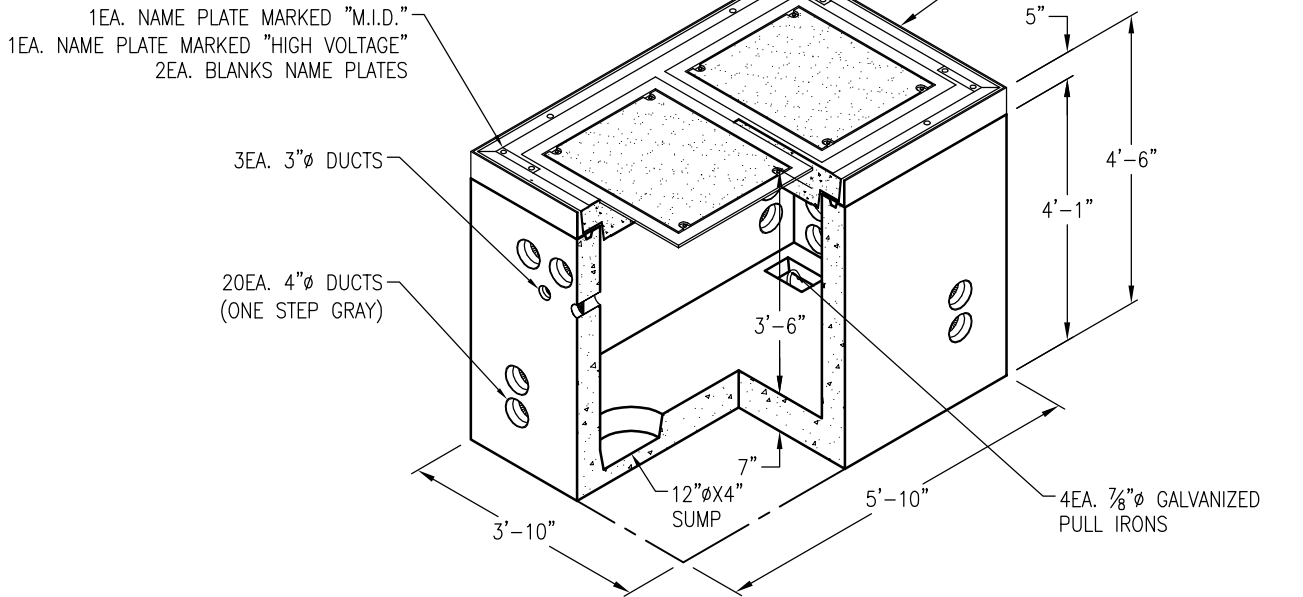


3'-0" X 5'-0" X 3'-6"
 INCIDENTAL H-10 SPLICE ENCLOSURE
 APPROXIMATE WEIGHTS:
 WITHOUT COVER 5,960 LBS



NOT SHOWN:
 2EA. 1" diameter GROUND ROD KNOCK-OUTS
 (LOCATED DIAGONALLY OPPOSING CORNERS)



3'-0" X 5'-0" X 3'-6"
 HEAVY FULL TRAFFIC H-20 SPLICE ENCLOSURE
 APPROXIMATE WEIGHTS:
 WITHOUT COVER 5,960 LBS

DRAWING MAY NOT CONFORM TO THE
 MOST CURRENT SPECIFICATION

Oldcastle Precast[®]
 Northern California
 Madera ■ Morgan Hill ■ Pleasanton ■ Santa Rosa ■ Stockton ■ Tulare
 Phone: 925-750-6650 Fax: 925-750-6660

MID-3536
FILE NAME: MID-3.DWG
REVISED: MARCH 2016
www.oldcastleprecast.com

3'-0" X 5'-0" X 3'-6" (I.D.)
 SPLICE ENCLOSURE
 M.I.D.