

3'-0" X 5'-0" X 4'-6"
 INCIDENTAL H-10 TRANSFORMER ENCLOSURE
 APPROXIMATE WEIGHTS:
 WITHOUT COVER 7,085 LBS

1EA. NAME PLATE MARKED "M.I.D."
 1EA. NAME PLATE MARKED "HIGH VOLTAGE"
 2EA. BLANKS NAME PLATES

3EA. 3"Ø DUCTS

20EA. 4"Ø DUCTS
 (ONE STEP GRAY)

NOT SHOWN:
 2EA. 1"Ø GROUND ROD KNOCK-OUTS
 (LOCATED DIAGONALLY OPPOSING CORNERS)

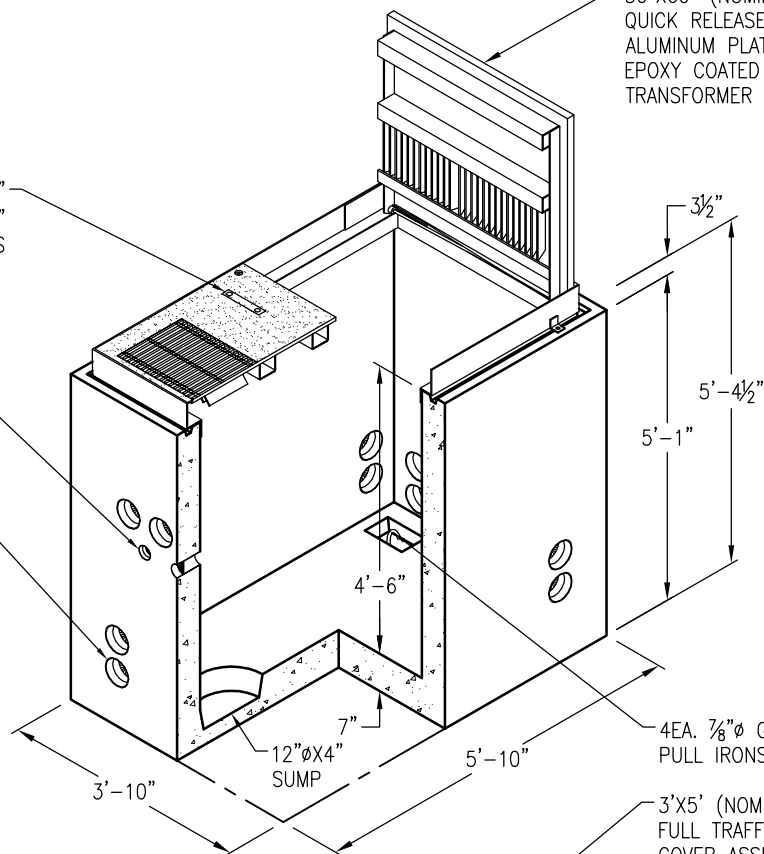
1EA. NAME PLATE MARKED "M.I.D."
 1EA. NAME PLATE MARKED "HIGH VOLTAGE"
 2EA. BLANKS NAME PLATES

3EA. 3"Ø DUCTS

20EA. 4"Ø DUCTS
 (ONE STEP GRAY)

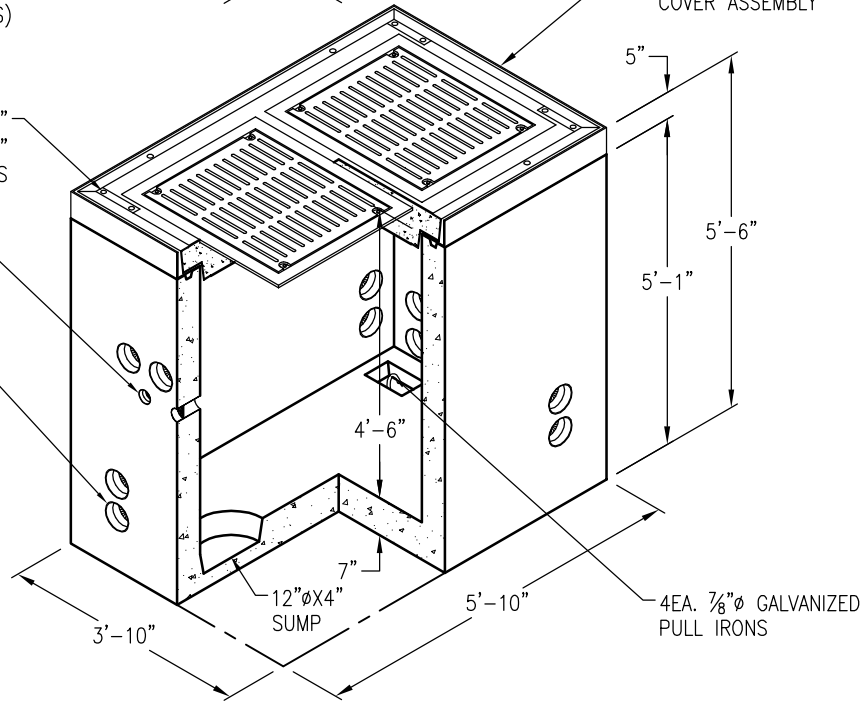
3'-0" X 5'-0" X 4'-6"
 HEAVY FULL TRAFFIC H-20 TRANSFORMER ENCLOSURE
 APPROXIMATE WEIGHTS:
 WITHOUT COVER 7,085 LBS

36"X60" (NOMINAL) INCIDENTAL TRAFFIC,
 QUICK RELEASE, SLIP RESISTANT,
 ALUMINUM PLATES & FRAME,
 EPOXY COATED GRATES
 TRANSFORMER COVER ASSEMBLY



4EA. 7/8"Ø GALVANIZED
 PULL IRONS

3'X5' (NOMINAL)
 FULL TRAFFIC TRANSFORMER
 COVER ASSEMBLY



4EA. 7/8"Ø GALVANIZED
 PULL IRONS

DRAWING MAY NOT CONFORM TO THE
 MOST CURRENT SPECIFICATION