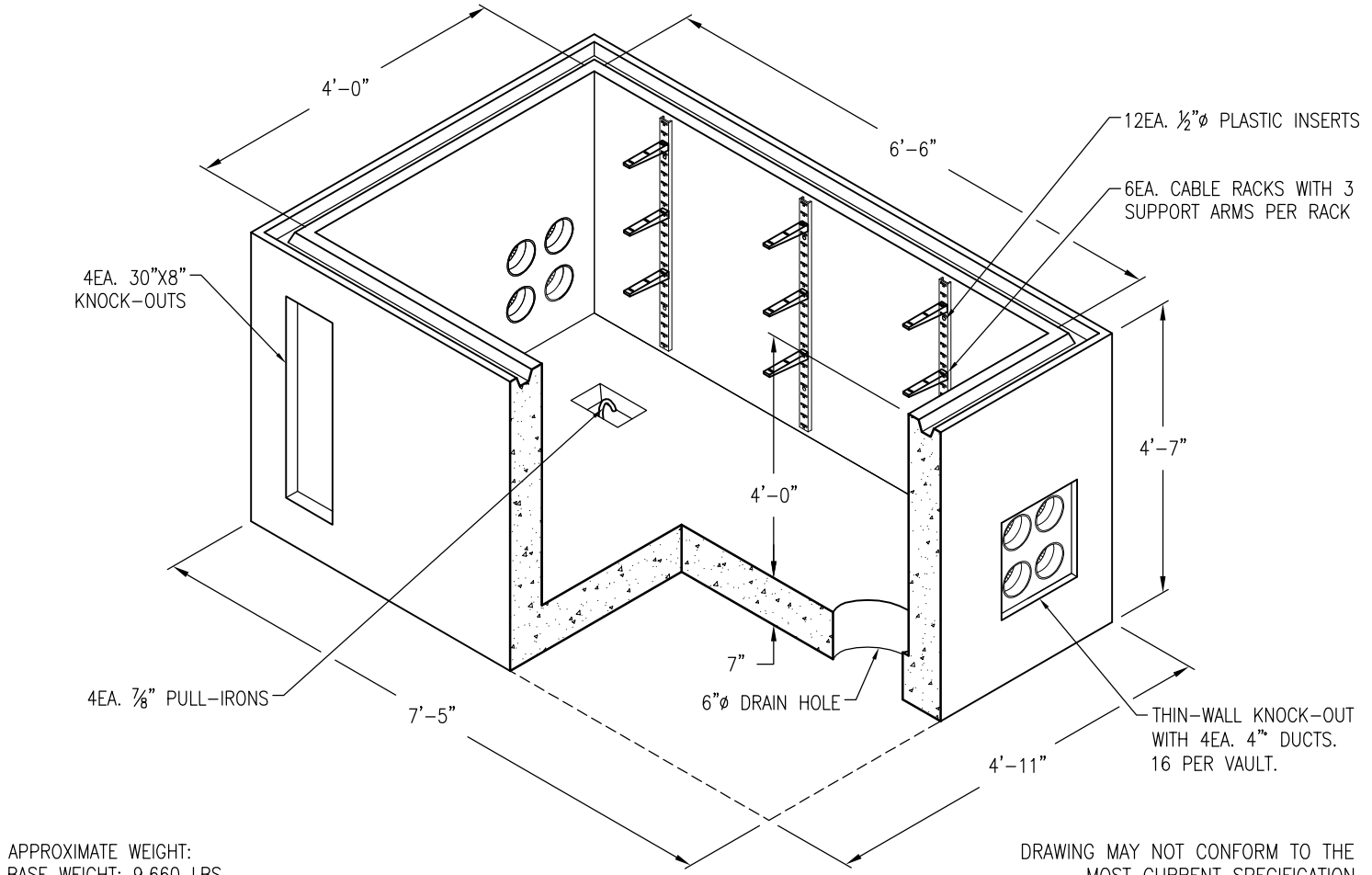
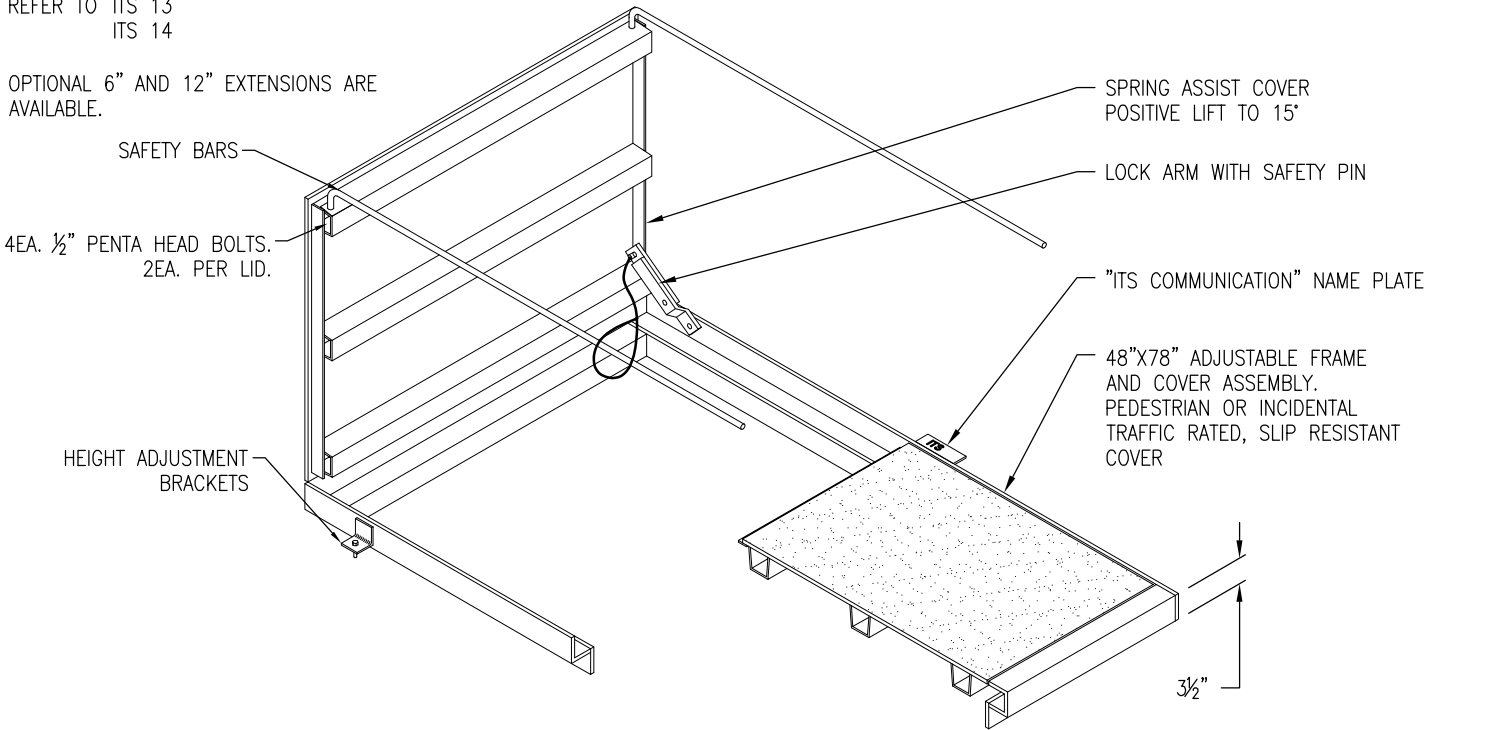


CITY OF FRESNO
REFER TO ITS 13
ITS 14

MISC-7

OPTIONAL 6" AND 12" EXTENSIONS ARE AVAILABLE.



APPROXIMATE WEIGHT:
BASE WEIGHT: 9,660 LBS

DRAWING MAY NOT CONFORM TO THE MOST CURRENT SPECIFICATION



Oldcastle Precast[®]
Northern California
Madera ■ Morgan Hill ■ Pleasanton ■ Santa Rosa ■ Stockton ■ Tulare
Phone: 925-750-6650 Fax: 925-750-6660

ITS-4878
FILE NAME: MISC-7.DWG
REVISED: MARCH 2016
www.oldcastleprecast.com

**4'-0" X 6'-6" X 4'-0" (I.D.)
COMMUNICATION VAULT
FRESNO ITS VAULT**

Copyright © 2016 **Oldcastle** Precast, Inc.