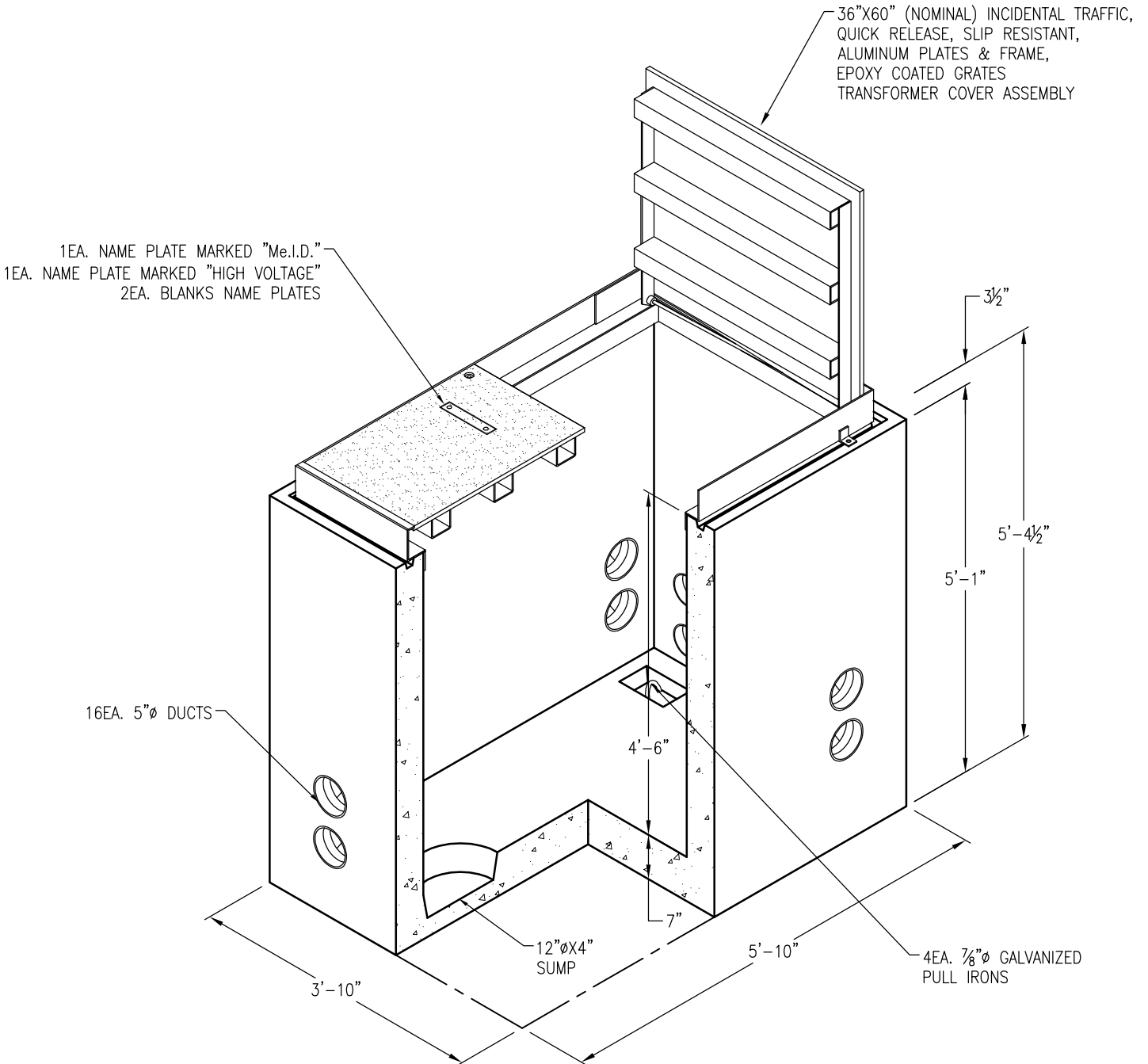


NOT SHOWN:  
 2EA. 1"Ø GROUND ROD KNOCK-OUTS  
 (LOCATED DIAGONALLY OPPOSING CORNERS)  
 2EA. ½"Ø BRONZE INSERTS  
 WITH ⅜" DEEP DEPRESSION



APPROXIMATE WEIGHTS:  
 WITHOUT COVER 7,085 LBS

DRAWING MAY NOT CONFORM TO THE  
 MOST CURRENT SPECIFICATION



**Oldcastle Precast**<sup>®</sup>

Northern California  
 Madera ■ Morgan Hill ■ Pleasanton ■ Santa Rosa ■ Stockton ■ Tulare  
 Phone: 925-750-6650 Fax: 925-750-6660

MeID-3546
FILE NAME: MEID-1.DWG
REVISED: MARCH 2016
<a href="http://www.oldcastleprecast.com">www.oldcastleprecast.com</a>

3'-0" X 5'-0" X 4'-6" (I.D.)  
 ELECTRIC ENCLOSURE  
 Me.I.D.

Copyright © 2016 **Oldcastle** Precast, Inc.