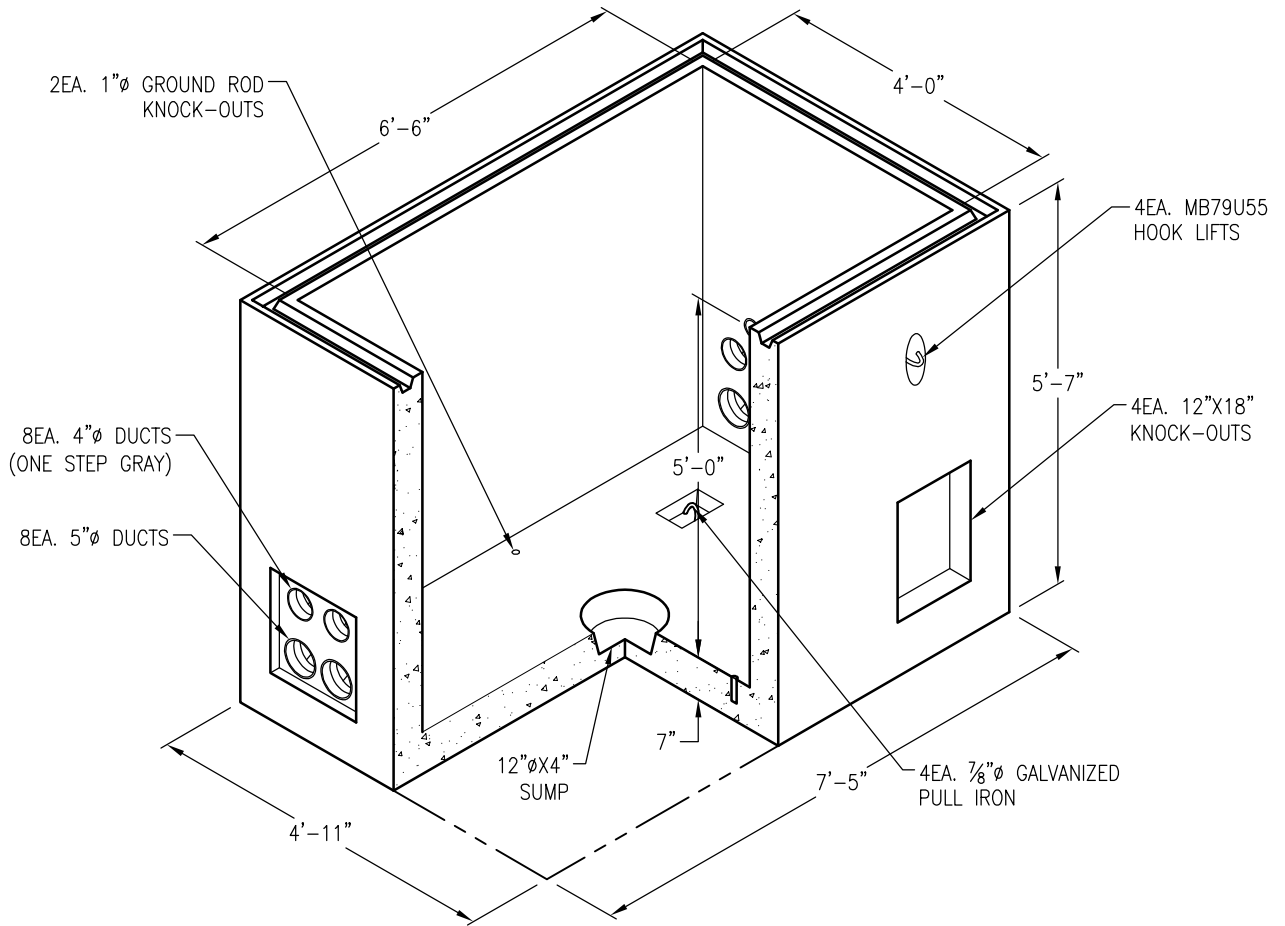
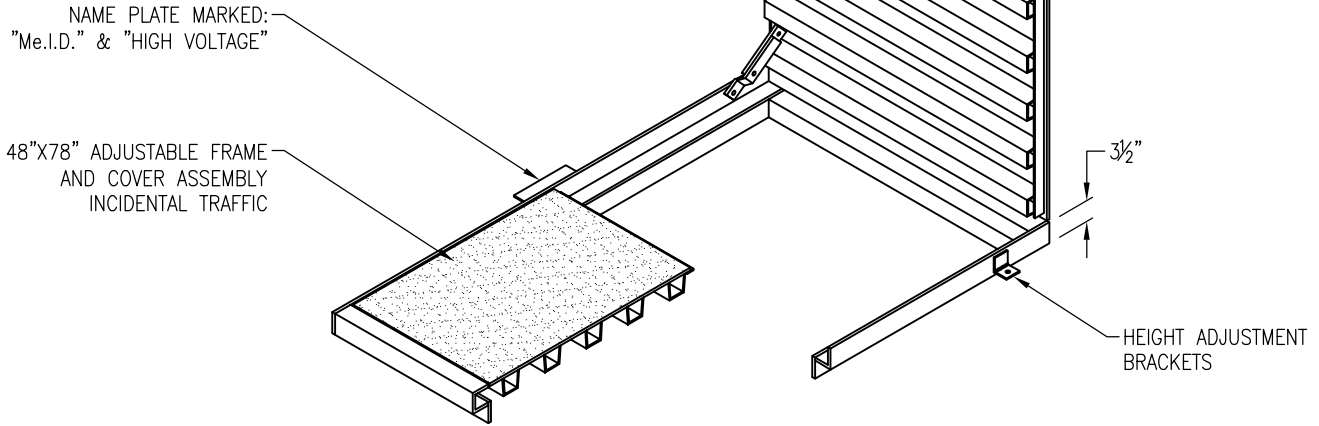


NOT SHOWN:
2EA. 1/2"Ø BRONZE INSERTS
WITH 3/8" DEEP DEPRESSION



APPROXIMATE WEIGHTS:
BASE WEIGHT: 11,260 LBS

DRAWING MAY NOT CONFORM TO THE
MOST CURRENT SPECIFICATION

Oldcastle Precast[®]

Northern California
Madera ■ Morgan Hill ■ Pleasanton ■ Santa Rosa ■ Stockton ■ Tulare
Phone: 925-750-6650 Fax: 925-750-6660

MeID-4878
FILE NAME: MEID-2.DWG
REVISED: MARCH 2016
www.oldcastleprecast.com

4'-0" X 6'-6" X 5'-0" (I.D.)
ELECTRIC ENCLOSURE
Me.I.D.

Copyright © 2016 **Oldcastle** Precast, Inc.