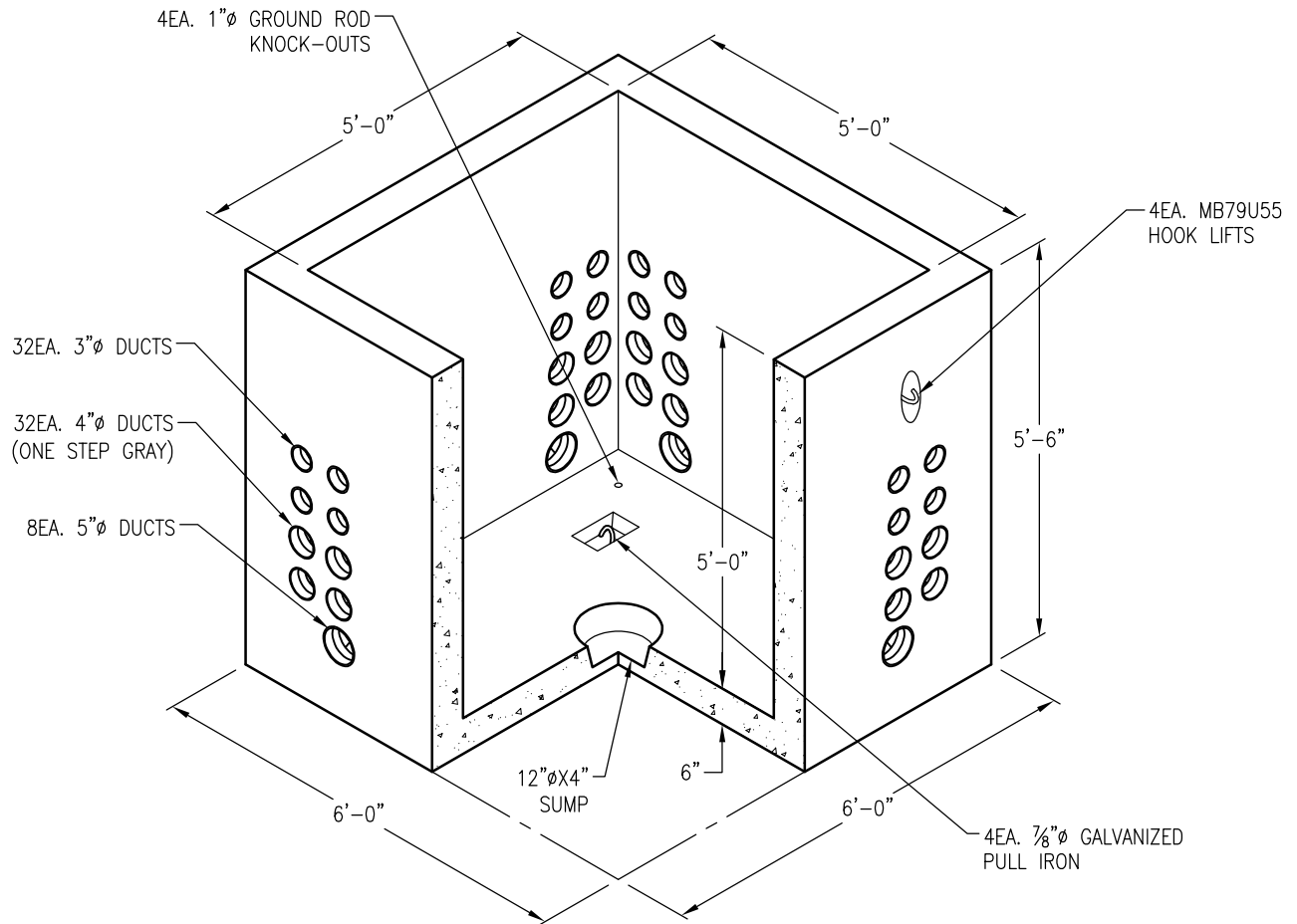
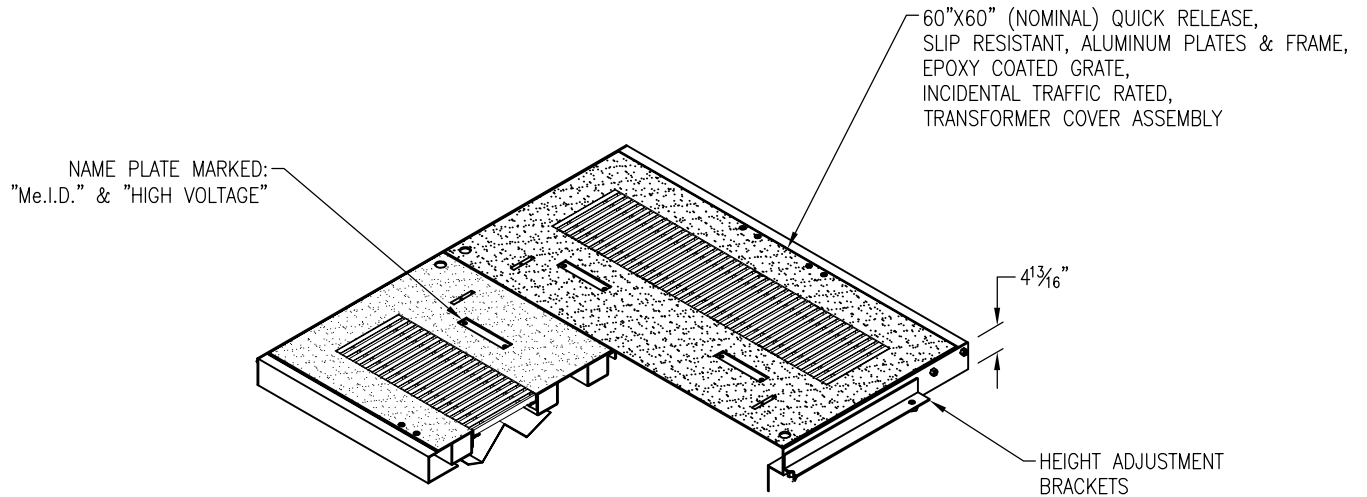


NOT SHOWN:
 2EA. 1/2"Ø BRONZE INSERTS
 WITH 3/8" DEEP DEPRESSION

MeID-3



APPROXIMATE WEIGHTS:
 BASE WEIGHT: 11,170 LBS

DRAWING MAY NOT CONFORM TO THE
 MOST CURRENT SPECIFICATION

 **Oldcastle Precast**[®]
 Northern California
 Madera ■ Morgan Hill ■ Pleasanton ■ Santa Rosa ■ Stockton ■ Tulare
 Phone: 925-750-6650 Fax: 925-750-6660

MeID-555

FILE NAME: MEID-3.DWG

REVISED: MARCH 2016

www.oldcastleprecast.com

5'-0" X 5'-0" X 5'-0" (I.D.)
 ELECTRIC ENCLOSURE
 Me.I.D.

Copyright © 2016 **Oldcastle** Precast, Inc.