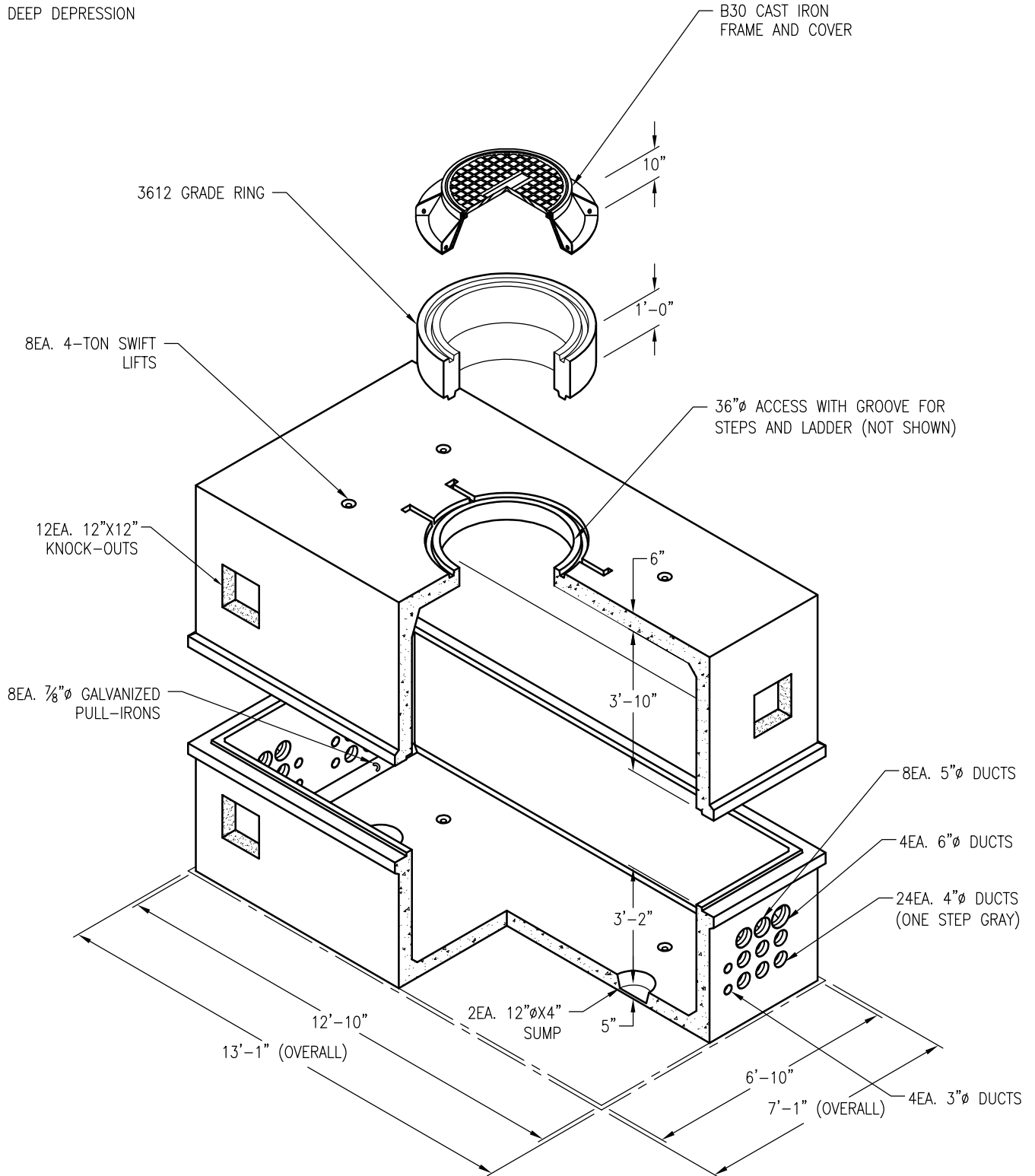


NOT SHOWN:

- 2EA. 1"Ø GROUND ROD KNOCK-OUTS  
(LOCATED DIAGONALLY OPPOSING CORNERS)
- 4EA. 1/2"Ø BRONZE INSERTS  
WITH 3/8" DEEP DEPRESSION



TOP SECTION WEIGHT: 16,380 LBS.  
BASE SECTION WEIGHT: 14,500 LBS.

DRAWING MAY NOT CONFORM TO THE MOST CURRENT SPECIFICATION

**Oldcastle Precast®**  
Northern California  
Madera ■ Morgan Hill ■ Pleasanton ■ Santa Rosa ■ Stockton ■ Tulare  
Phone: 925-750-6650 Fax: 925-750-6660

**MeID-612**  
FILE NAME: MEID-5.DWG  
REVISED: MARCH 2016  
[www.oldcastleprecast.com](http://www.oldcastleprecast.com)

**6'-0" X 12'-0" X 7'-0" (I.D.)  
ELECTRIC ENCLOSURE  
Me.I.D.**