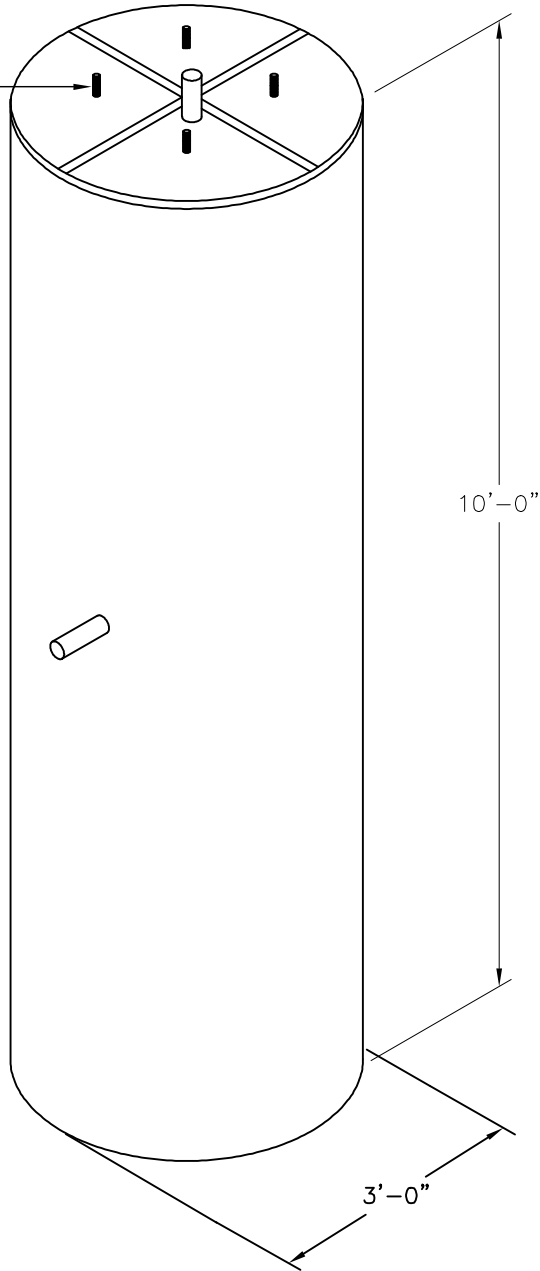


(4)—Various Size  $\phi$  Anchor Bolts



**LPB36D-10**

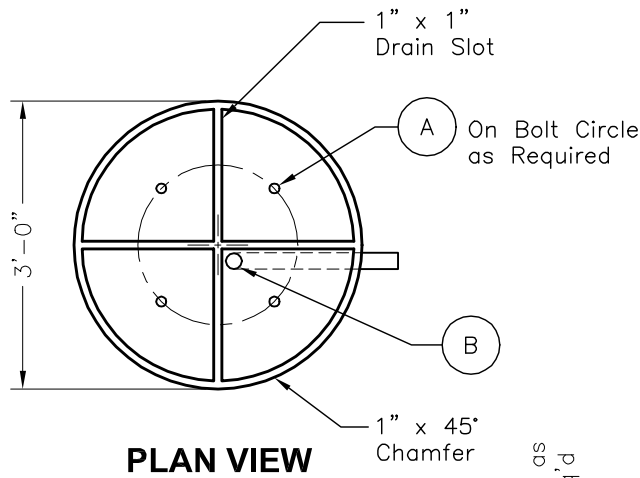
FILE NAME: 325UEF3DX10\_ISO.DWG

ISSUE DATE: January, 2008

[www.oldcastleprecast.com](http://www.oldcastleprecast.com)

**3'-0" Dia. x 10'-0"  
Light Pole Base  
MHD Standard  
10,600 Lbs**

Copyright © 2008 **Oldcastle** Precast

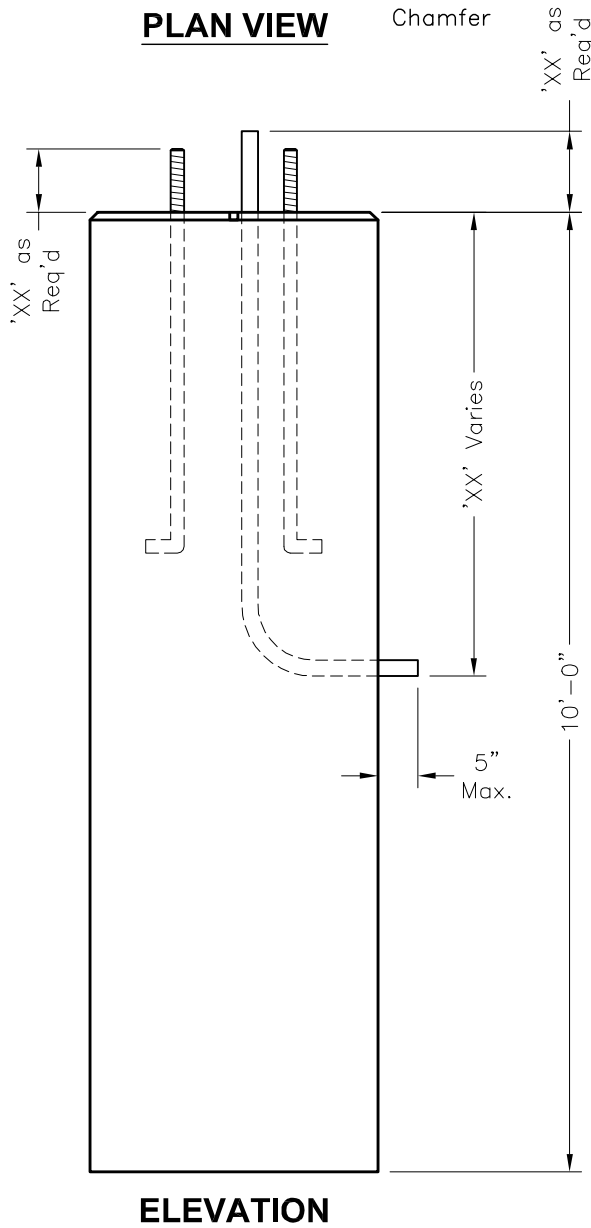


GENERAL NOTES:

1. Concrete: 28 Day Compressive Strength  $f'_c = 4,000$  psi Type III.
2. Rebar: Grade 60 Per ASTM A615 (Black).
3. Sweep will not Extend Further than 3" from Side of Base.
4. For MHD. all Sweeps Must be One Piece Galvanized Construction.

DATA CHART

LTR	QTY	Description
(A)	4	XX" $\phi$ x XX" Long Anchor Bolt
(B)	XX	XX" $\phi$ x XX" Long Sweep



**Oldcastle Precast**<sup>®</sup>

**LPB36D-10**

FILE NAME: 325UEF3DX10\_DET.DWG

ISSUE DATE: January, 2008

[www.oldcastleprecast.com](http://www.oldcastleprecast.com)

**3'-0" Dia. x 10'-0"**  
**Light Pole Base**  
**MHD Standard**  
**10,600 Lbs**

Copyright © 2008 **Oldcastle Precast**<sup>®</sup>